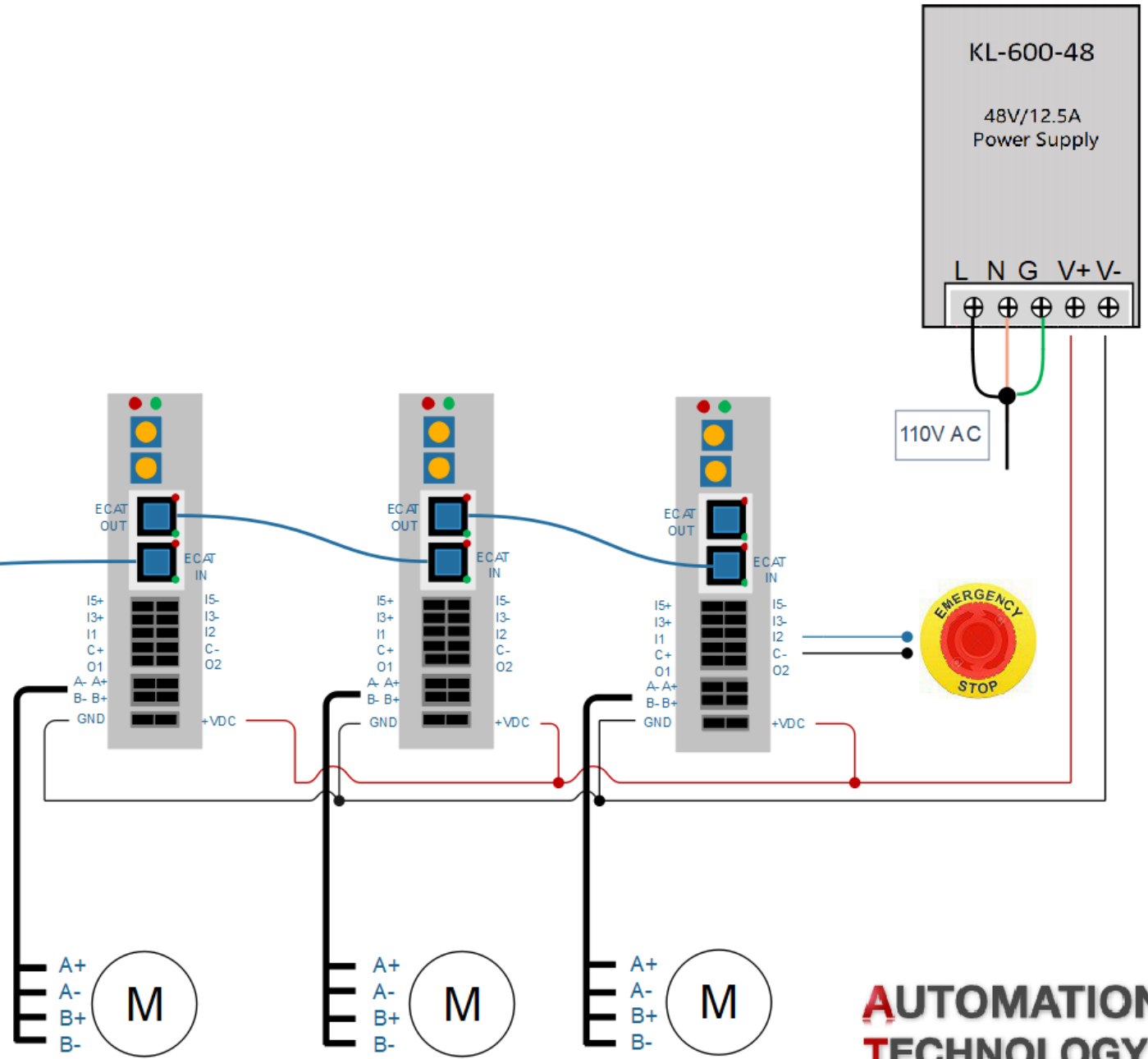
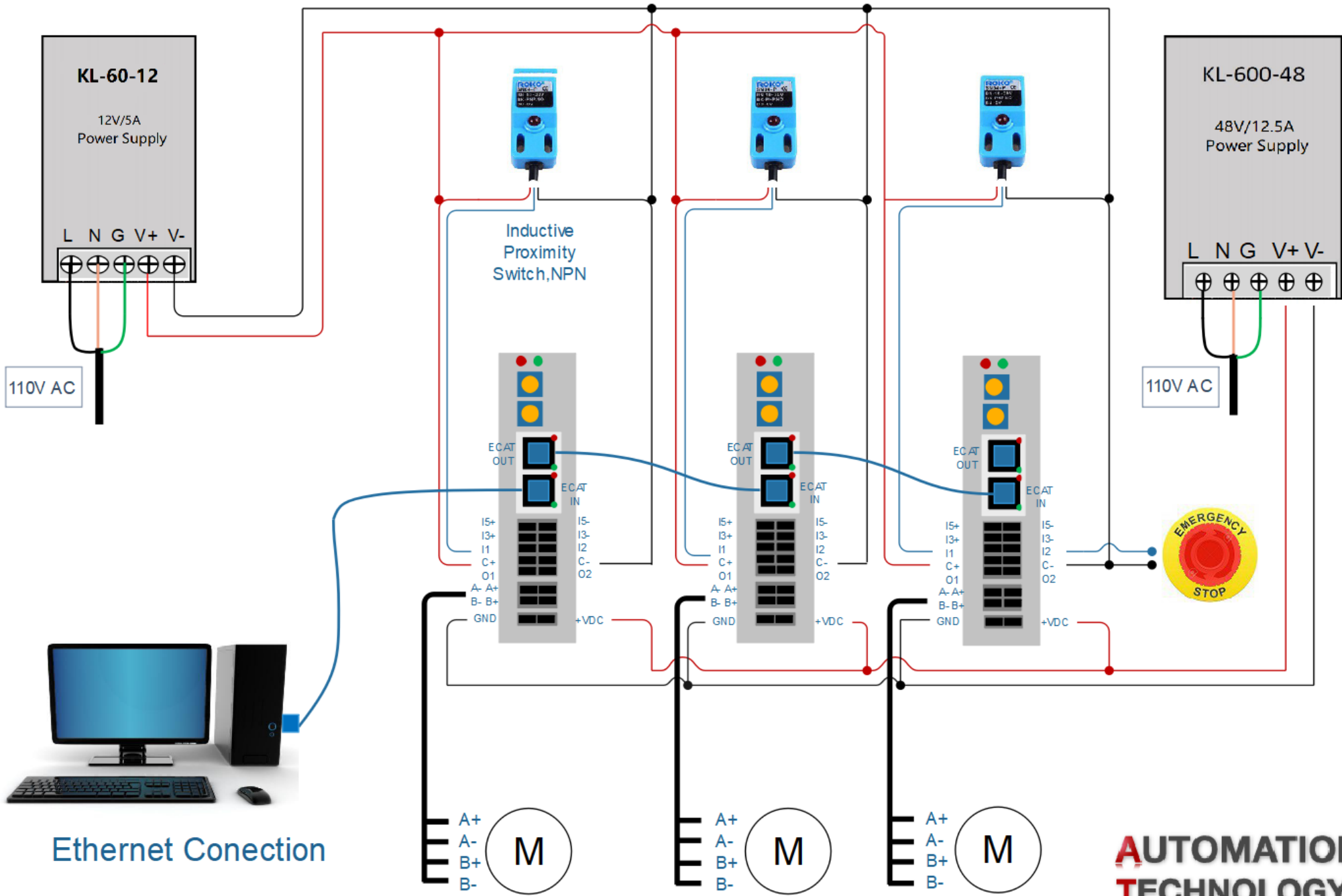




Ethernet Connection



AUTOMATION TECHNOLOGY inc
Motion Control Parts and CNC Equipment.



Ethernet Connection

AUTOMATION TECHNOLOGY Inc
Motion Control Parts and CNC Equipment.