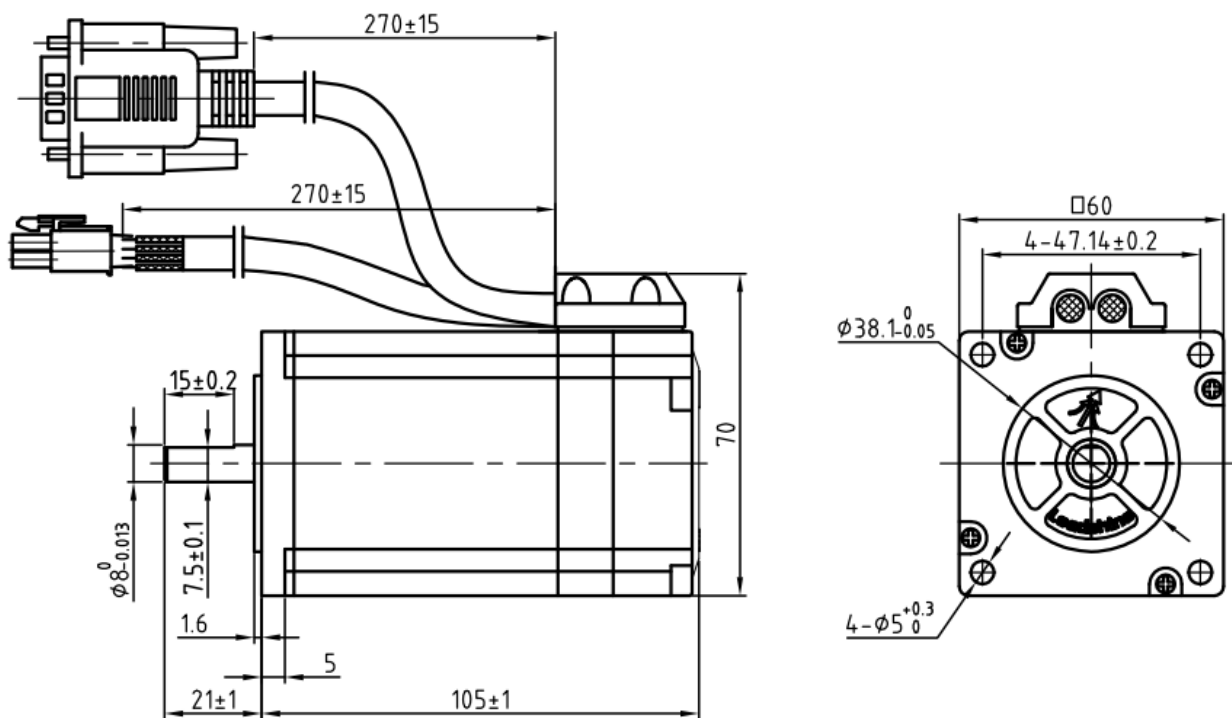


Dimension: (Unit: mm)



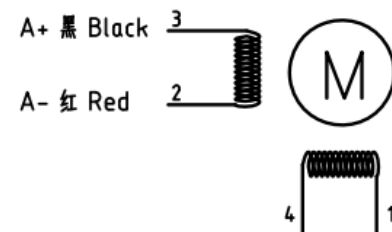
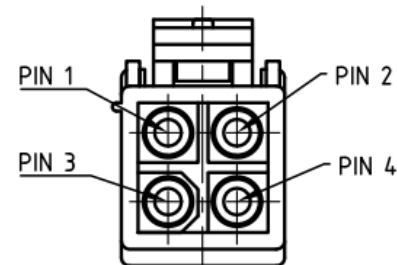
### Common Rating

|                       |                       |
|-----------------------|-----------------------|
| Step angle            | 1.8°                  |
| Position accuracy     | 1.8±0.09°             |
| Dielectric strength   | 500VAC 1min           |
| Insulation resistance | 100MΩ(500VDC)         |
| Insulation class      | B                     |
| Temp rise(Max)        | 80K                   |
| Radial play           | Max.0.02mm(Load 450g) |
| Axial play            | Max.0.08mm(Load 900g) |

### Specification:

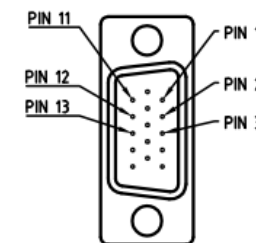
|                          |                         |
|--------------------------|-------------------------|
| Current/phase            | 6.0 A                   |
| Voltage                  | 1.6 V                   |
| DC Resistance/phase ±10% | 0.26 Ω                  |
| Inductance/phase ±20%    | 1.18 mH                 |
| Holding torque           | 3.1 N·M                 |
| Inertia                  | 0.84 kg·cm <sup>2</sup> |
| Weight                   | 1.6 kg                  |
| Encoder resolution       | 1000 cpr                |

### Motor Connections:



B+ 黄 Yellow B- 绿 Green

### Encoder Signals



|        |     |     |     |     |     |     |
|--------|-----|-----|-----|-----|-----|-----|
| PIN    | 1   | 2   | 3   | 11  | 12  | 13  |
| Color  | BLK | RED | WHT | YEL | GRN | BLU |
| Define | A+  | VCC | GND | B+  | B-  | A-  |