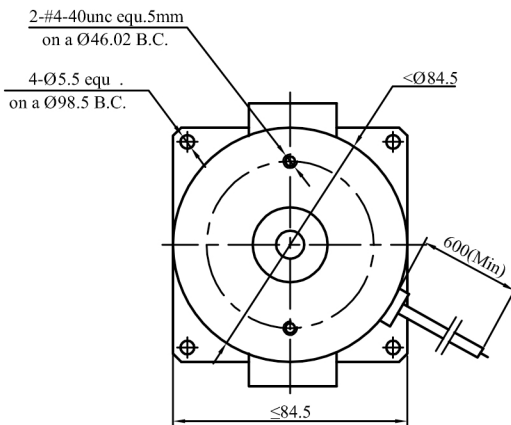
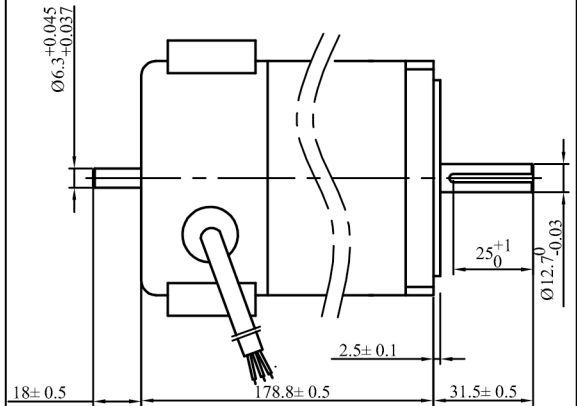
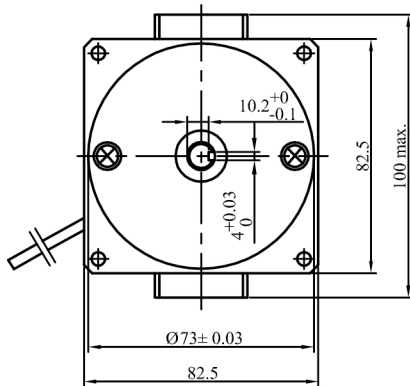


# DC SERVO Motor

KL34-180-90

UNIT=MM :



-Skewed Rotor Design

-constant torque: 1.6 N.m ( 226 oz-in)

-peak torque: 8.0 N.m (1125 oz-in)

-max. speed at voltage constant: 3200 rpm

-terminal voltage: 90 VDC

-continuous current: 7.8A

-peak current: > 40A

-torque constant (KT): 0.182 Nm/am

-voltage constant(KE): 18.95 V/1000rpm

-resistance: 0.925 ohm

-inductance: 2.5 mh

-inertia: 3.4 kg/cm<sup>2</sup>

-weight: 4.25kg