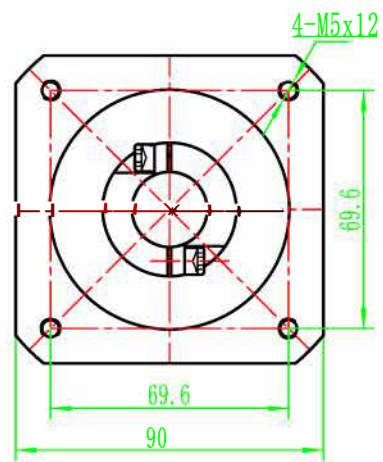
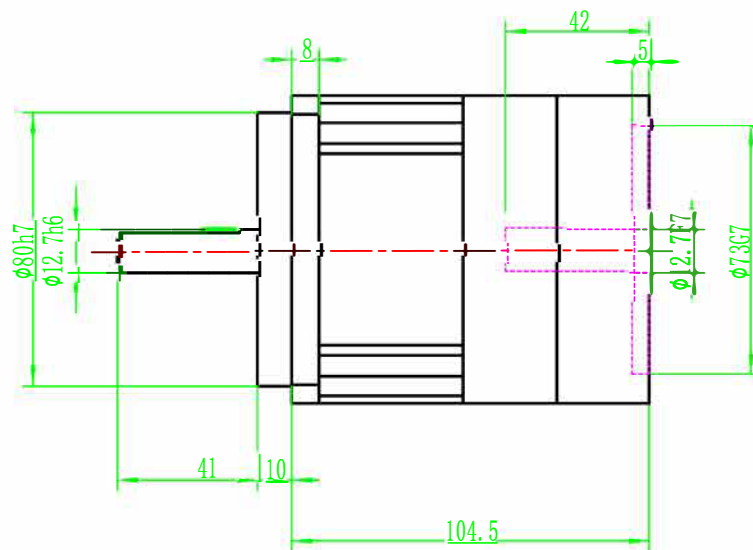
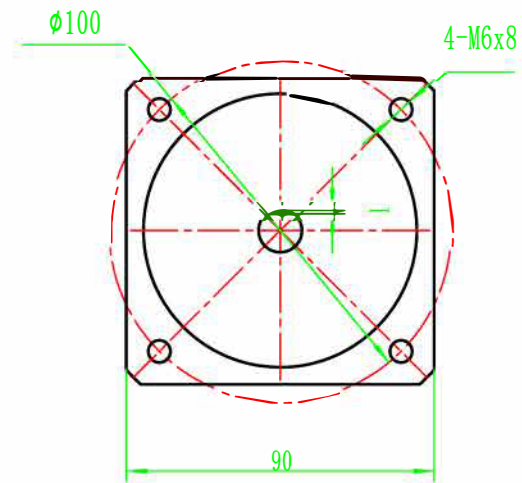


Input



Output



(Ratio i) 10 : 1  
(Famax. for 10000h) 1625N  
(Average input speed) 4000r/min  
(Max. input speed) 8000r/min Iii

(Frmax. for 10000h) 3250N  
(Max. output torque) I 200NM  
(Average lifetime) 20000h  
(Noise) <60dB

(Nominal output torque) 100NM  
(Backlash) <5arcmin
