

Hybrid Stepping Motor

Type: KL23H256-20-6A

Rev: 1.1

Date:20131018

COMMON RATINGS

Step angle: 1.8°

Positional accuracy: ±5%

Number of Phase: 4

Temperature rise: 80°C

Inertia: xxxxx gcm²

Dielectric strength: 500VDC

Insulation resistance: 100MΩ(500VDC)

Insulating class: B

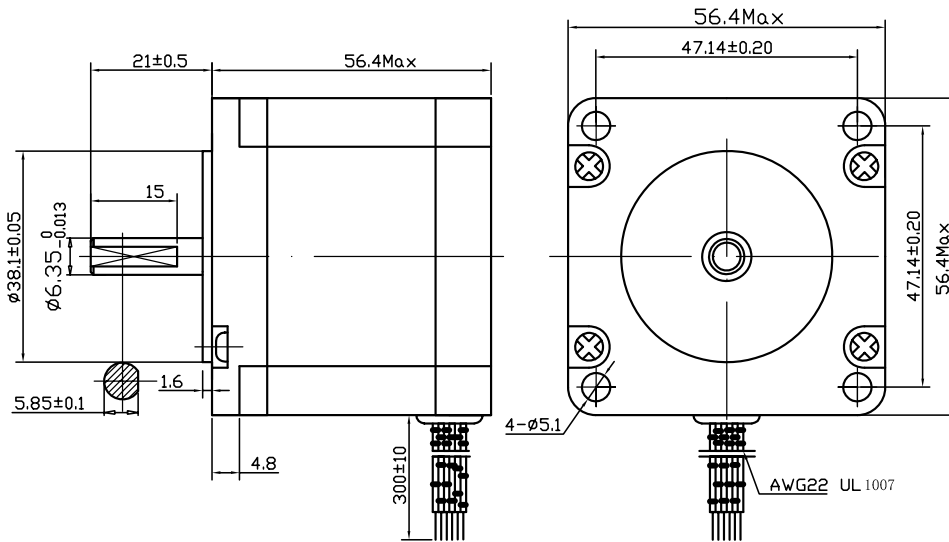
Radial play:0.025mm max. (load 300g)

Weight: 0.72kg

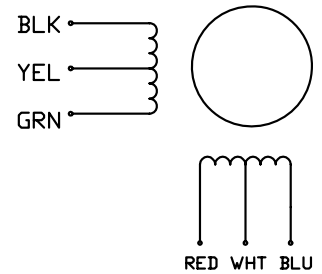
SPECIFICATIONS

	Holding Torque (2 phases on) N.cm±10%	Rated Current/Phase (Amps DC)	Resistance/Phase (ohms) ±10%	Voltage/Phase (V DC)	Inductance/Phase (mH) ±20% Typical (1kHz)
Unipolar	90	2.0	1.8	3.6	2.5
Bipolar (Series)	117	1.41	3.6	5.08	10

DIMENSIONS unit=mm



CONNECTIONS



WIRINGS CONNECTION DIAGRAM

