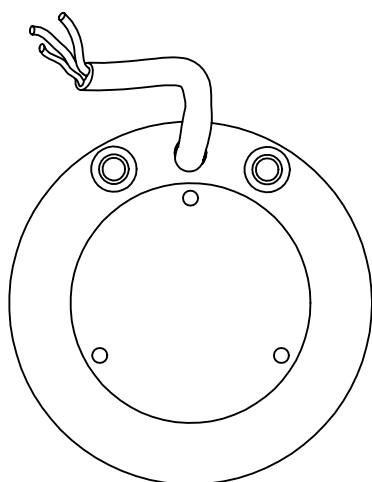
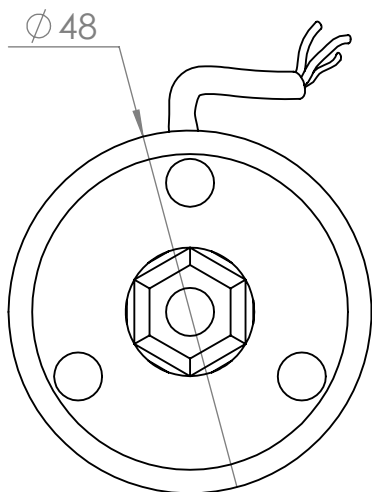
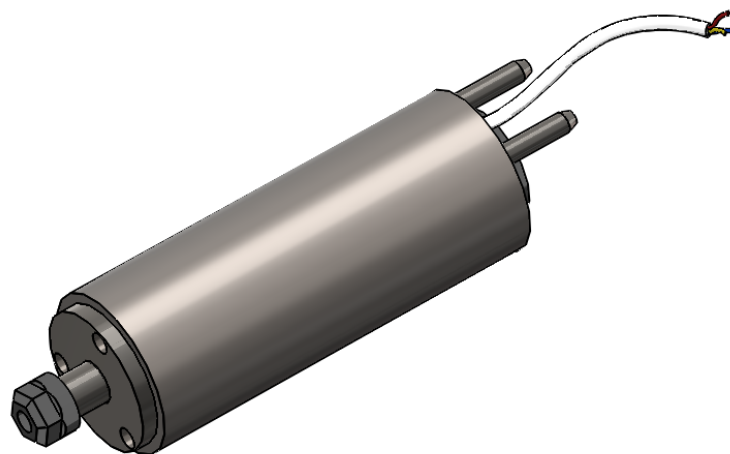
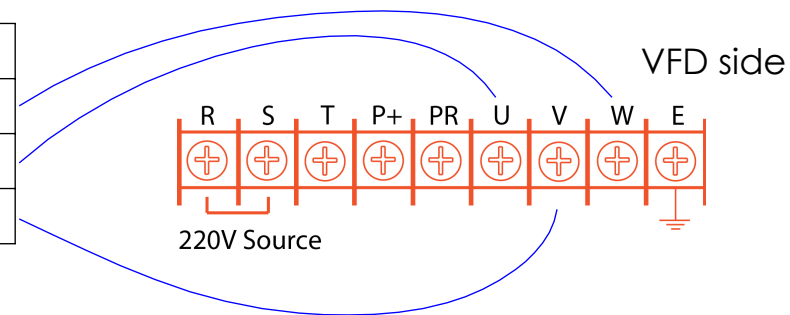




| | |
|---------|---|
| Wires: | |
| YELLOW: | W |
| RED: | U |
| BLUE: | V |



| | |
|----------------------------|-------------|
| Automation Technology Inc. | |
| Name: | |
| 300w WC Spindle | |
| Scale: 1:1 | Page 1 of 1 |