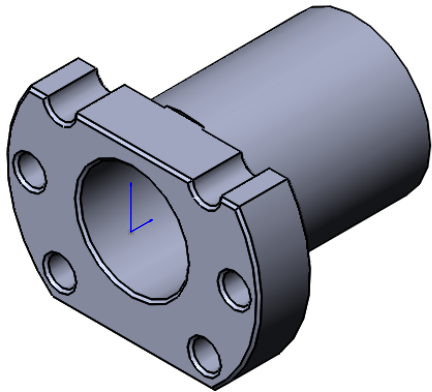
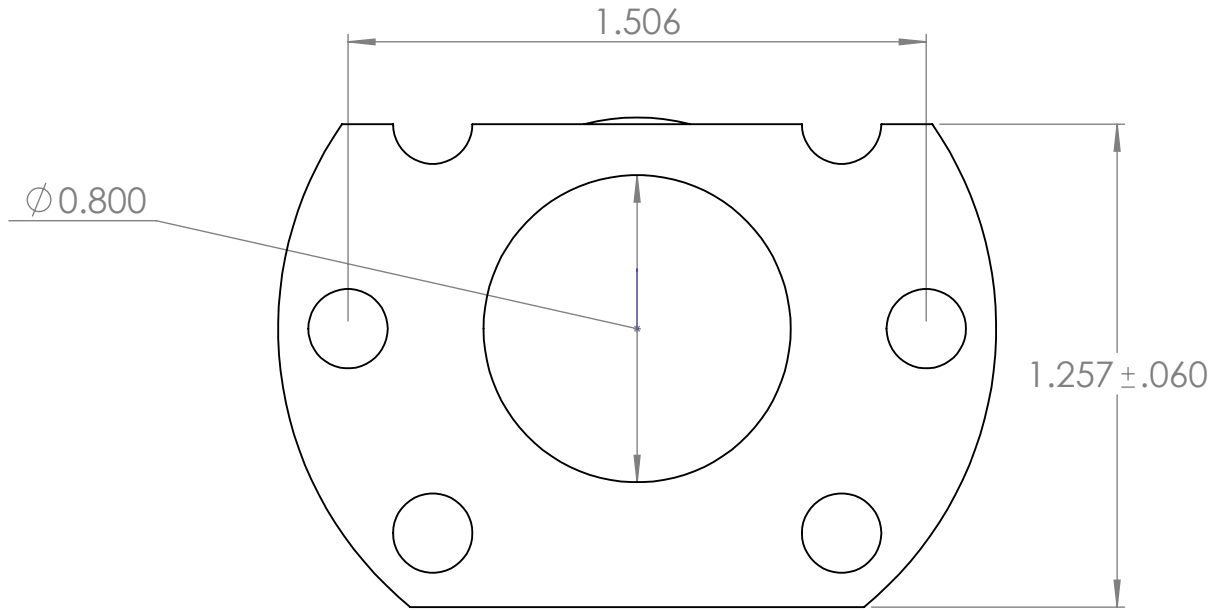


For X-Axis 16mm Ballnut Machined Flange



			Automation Technologies Inc.
			Name:
			16mm Ballnut machined flange (X-axis)
			Front
		Scale 2:1	Page 2 of 2