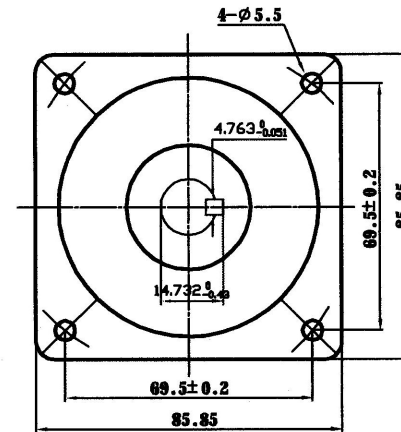
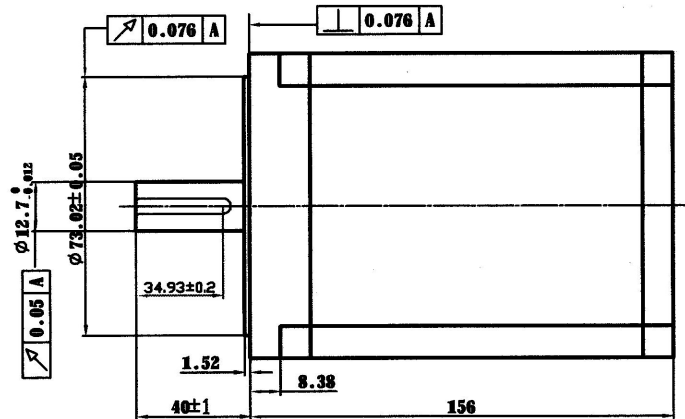
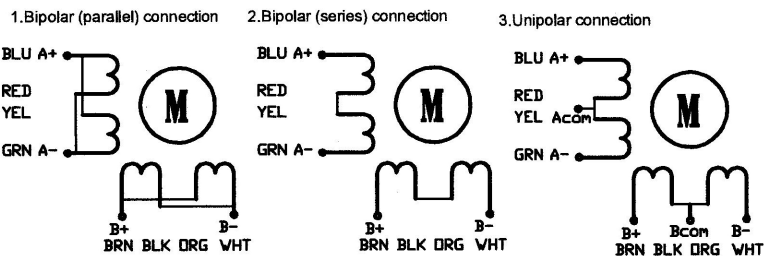
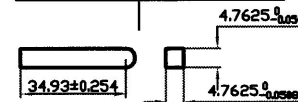


Dimension:



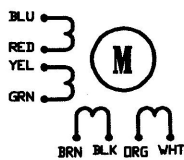
KEY 4.7625*4.7625*34.93



Specifications:

PHASE	STEP ANGLE	CONNECTION STYLE	CURRENT	RESISTANCE	INDUCTANCE	HOLDING TORQUE	ROTOR INERTIA	WEIGHT
	DEG/STEP		A	ohms	mH	N.m	gcm ²	Kg
4	1.8	parallel	8.8	0.38	5	12.8	4000	5.3
		series	4.4	1.5	20			
		unipolar	6.2	0.75	5	9		

Wiring Diagram:



UL1430-AWG20# L=320mm

REVISION NO.	DESCRIPTION	DRN	APP'D	DATE	DESIGN	DATE	P/N.
UNLESS OTHERWISE SPECIFIED TOLERANCES:				MATERIAL		TITLE	
DECIMALS: .x ±0.5		ANGULAR: ±0°30'		CHECK		SPECIFICATIONS	
.xxx ±0.1		UNIT: mm		APPD		USED ON	
DO NOT SCALE DRAWING		THIRD ANGLE PROJECTION		SCALE		KL34H2160-62-8A-KEY	
				SHEET		DWG NO.	
				OF		REV	
						Automation Technology Inc.	