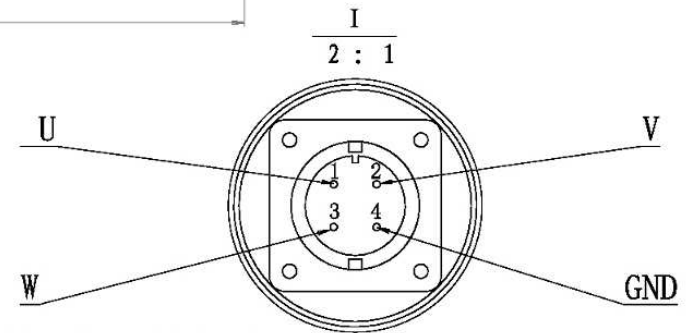
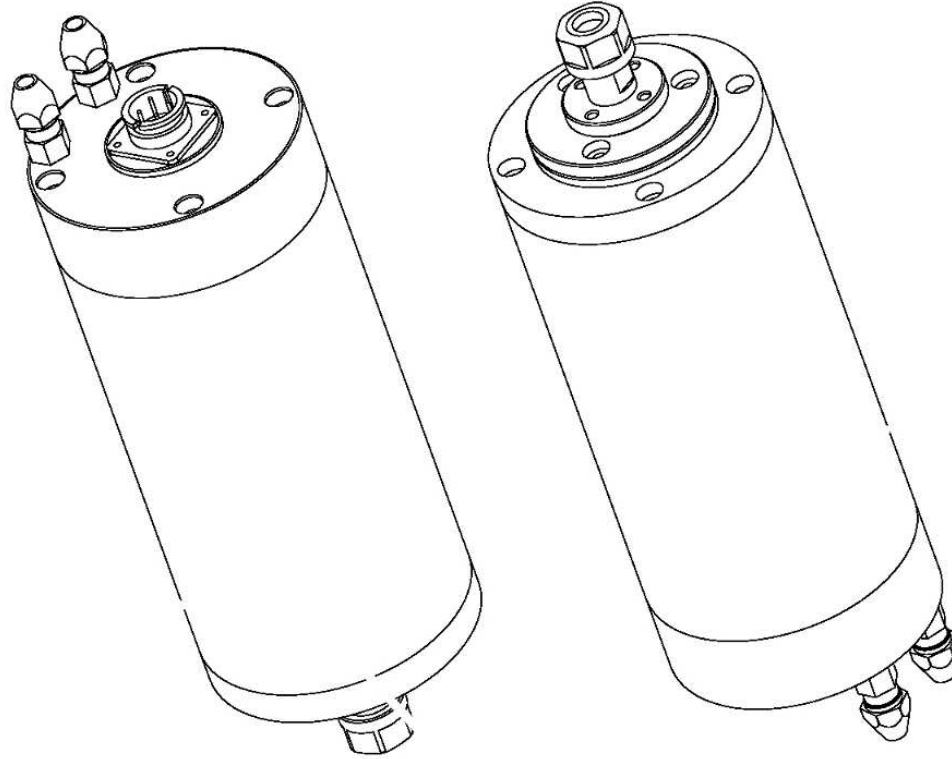
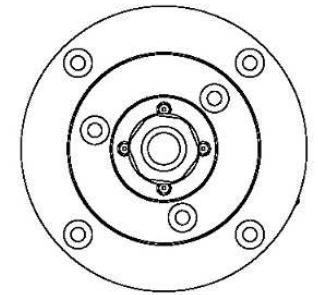
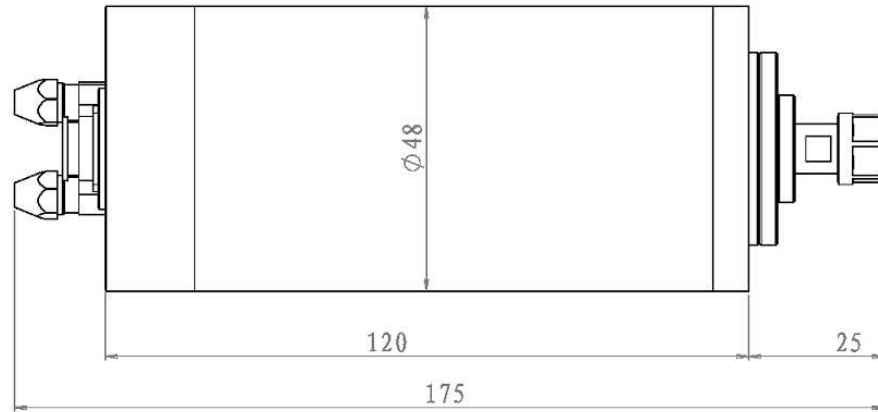
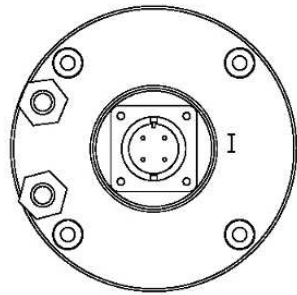


KL-300

Automation Technology Inc.



OD=48 MM. 120 MM Length

Voltage: 75 V (Max)

Rated Max Speed: 0-60,000 RPM (max)

Power: 300 W

Working Speed:  
40,000 RPM or less

Frequency: 0- 1000Hz

Water Cooling, ER Collet Chuck

Grease Lubrication, Ceramic Ball Bearing