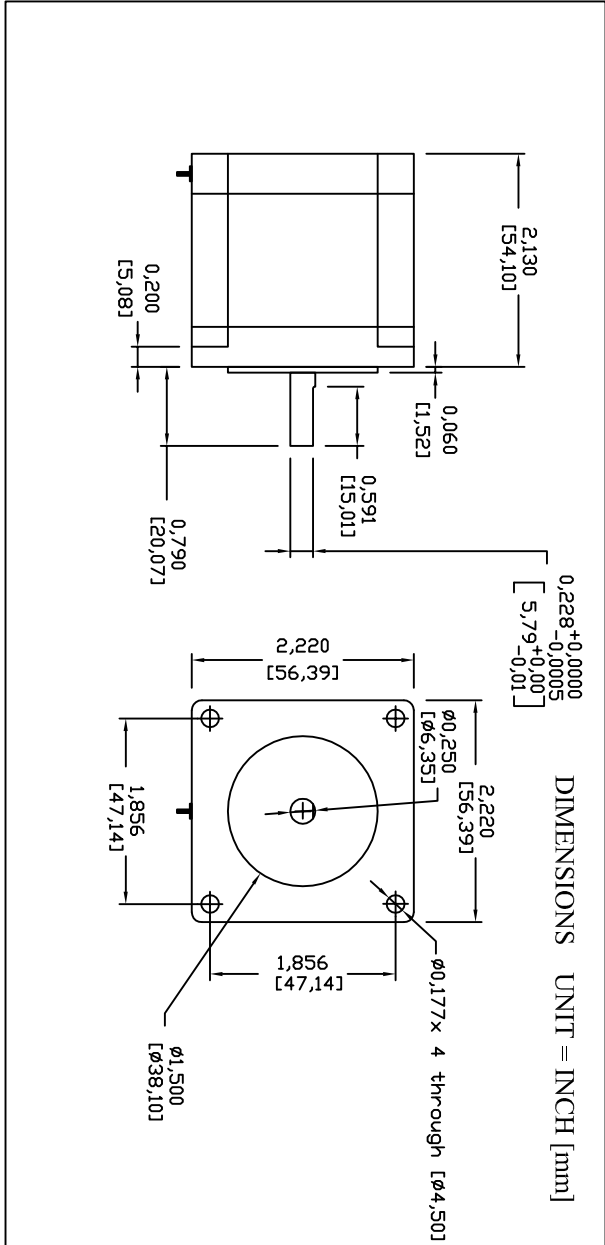
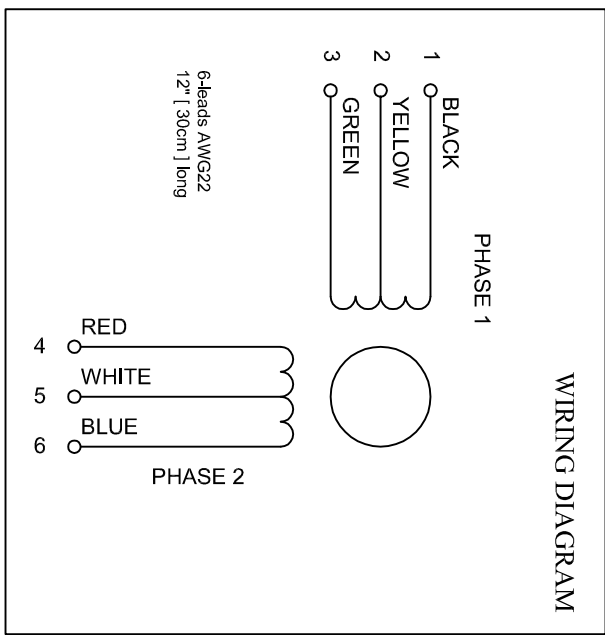
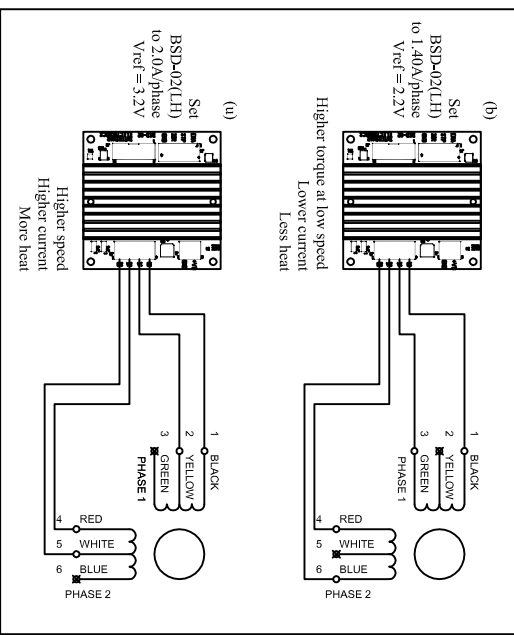


SPECIFICATIONS		(b)-unipolar connection
Step Angle	deg	1.8
Voltage	V DC	3.6 (u), 5.0 (b)
Current / phase	A / phase	2.0 (u), 1.4 (b)
Resistance / phase	ohm / phase	1.8 (u), 3.6 (b)
Inductance / phase	mH / phase	2.5 (u), 10 (b)
Holding Torque	oz-in	127 (u), 166 (b)
	N-cm	90 (u), 117 (b)
Detent Torque	oz-in	N/A
	N-cm	N/A
Rotor Inertia	oz-in <sup>2</sup>	1.64
	g-cm <sup>2</sup>	3
Weight	lbs	1.5
	kg	0.7



**RECOMMENDED DRIVER:**  
 BSD-02 or BSD-02LH from Interinar Electronics  
 - Vref Adjusted to 2.2V (1.4A/phase) for (b) or 3.2V (2.0A/phase) for (u)  
 - Available step modes: Full-, Half-, Quarter- and Eighth- (or for LH Sixteenth-) Step  
**RECOMMENDED POWER SUPPLY:**  
 24Vdc, min 2.8A for (b) or 24Vdc, min 4.0A for (u)

REV	REV NDT	DATE
-----	---------	------



<b>Interinar ELECTRONICS</b>		TITLE <b>2-PHASE STEP MOTOR</b>	
http://www.interinar.com support@interinar.com		DWG# <b>PK266-02A</b>	
DWG <b>M.W.</b>	SCALE	FILE NAME	SHEET <b>1</b>
CAT <b>49</b>	not to scale	<b>PK266-02A.dwg</b>	DF <b>1</b>
		DATE	<b>29-01-2009</b>

We have used our best effort in preparing this document. We make no representations or warranties with respect to the accuracy or completeness of the contents of this document and specifically disclaim any implied warranties of fitness for a particular purpose. We shall not be liable for any loss of profit or any other commercial damages.