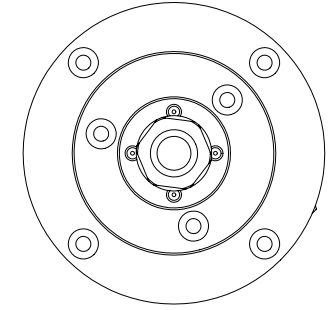
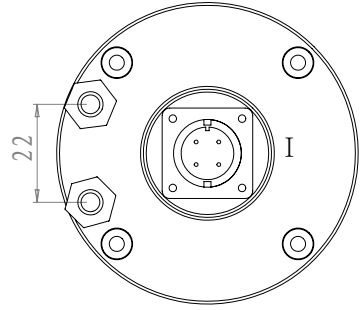
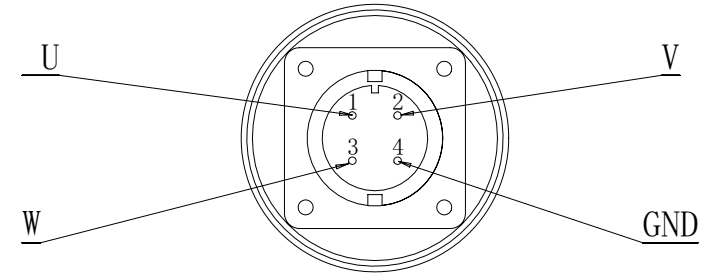
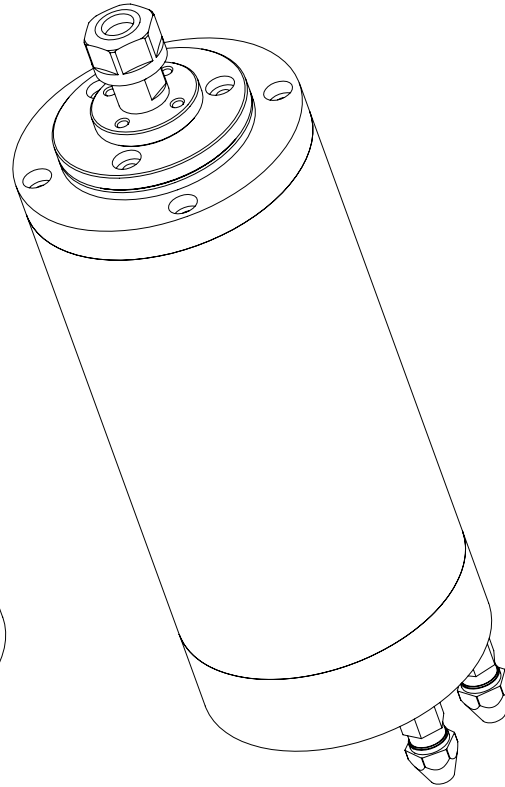
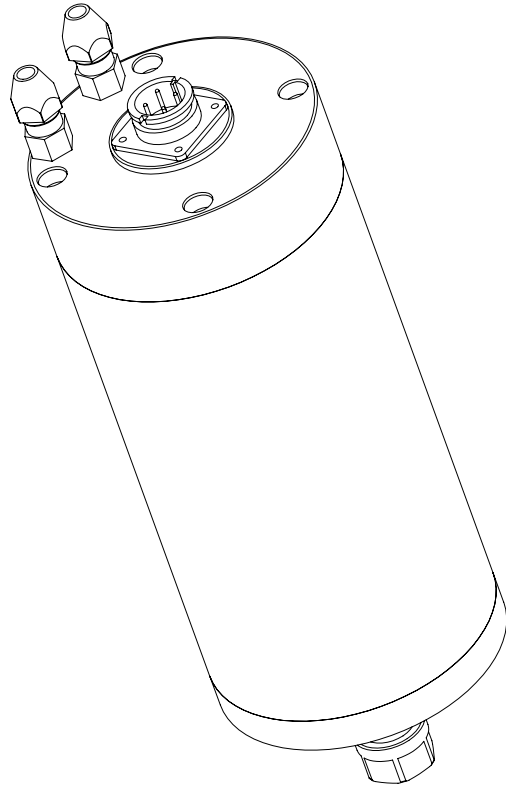


# KL-800



$\frac{I}{2 : 1}$



OD = 65MM, 161MM Length

Voltage: 220V

Speed: 8000-24000 R/min

Power: 800W

Frequency: 400 Hz

Water Cooling, ER11 collet chuck

Grease Lubrication, NSK Bearing

Keling Technology Inc  
[www.kelinginc.net](http://www.kelinginc.net)