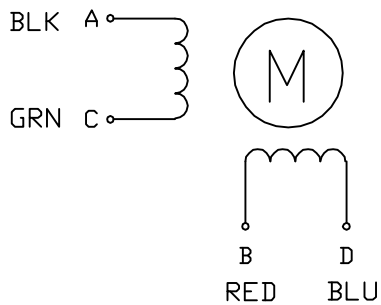


Specifications:

MODEL	PHASE	STEP ANGLE	RATED VOLTAGE	CURRENT /PHASE	RESISTANCE /PHASE	INDUCTANCE /PHASE	HOLDING TORQUE	ROTOR INERTIA	WEIGHT
		DEG /STEP	V	A	Ω	mH	N. m	$g \cdot cm^2$	Kg
Bipolar(P)	2	1.8	4.17	2.8	1.5	6.8	3	840	1.4

Wiring Diagram:

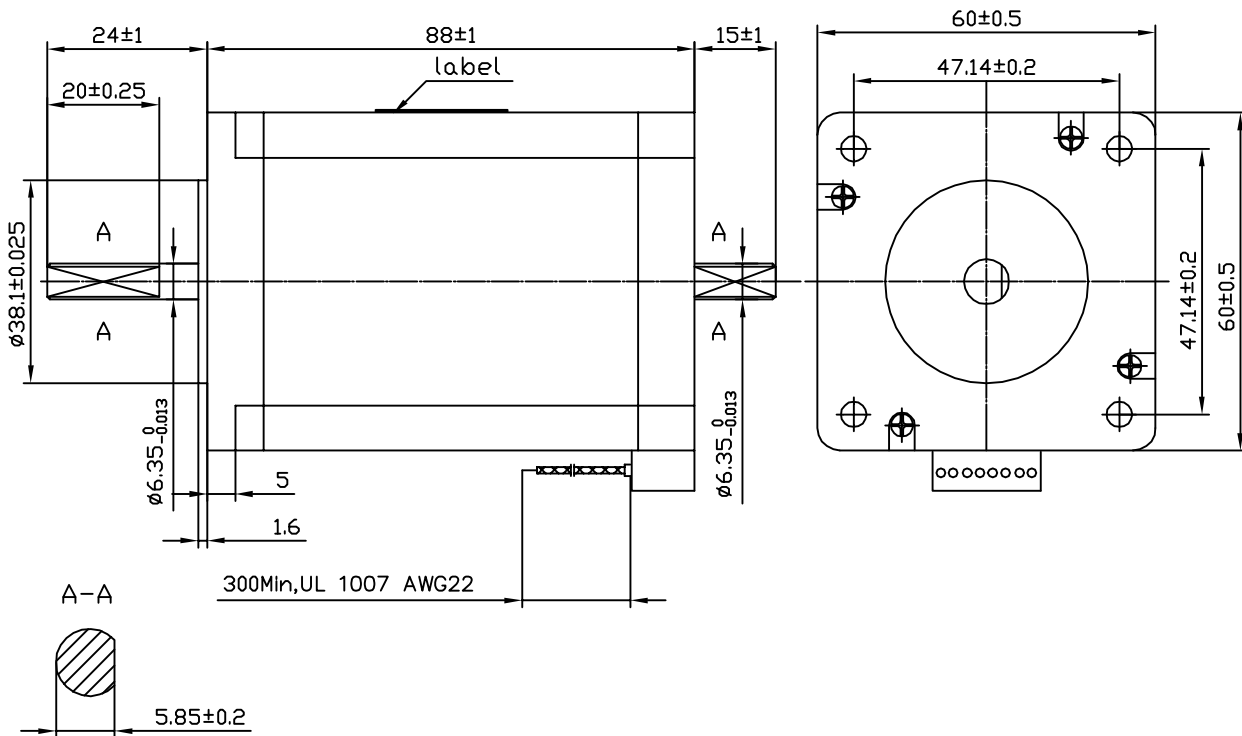


FULL STEP, PARALLEL BIPOLAR

CW DIRECTION	STEP	A	C	B	D
↓	1	+		+	
	2		+	+	
	3		+		+
	4	+			+
	1	+		+	

CW ,VIEW FROM FLANGE SIDE

Dimension:



DESIGN	DATE	P/N.
REVIEW ECN NO	DESCRIPTION	DRN APP'D DATE
UNLESS OTHERWISE SPECIFIED TOLERANCES:	MATERIAL	CHECK
DECIMALS:		USED
.x ±0.5	ANGULAR:	DN:
.xx ±0.25	±0°30'	DWG NO.
.xxx ±0.1		REV
UNIT: mm	THIRD ANGLE PROJECTION	SCALE
DO NOT SCALE DRAWING		SHEET OF
		Keling Technology, Inc