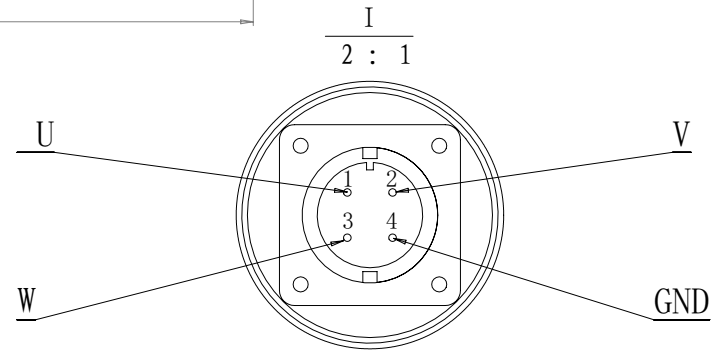
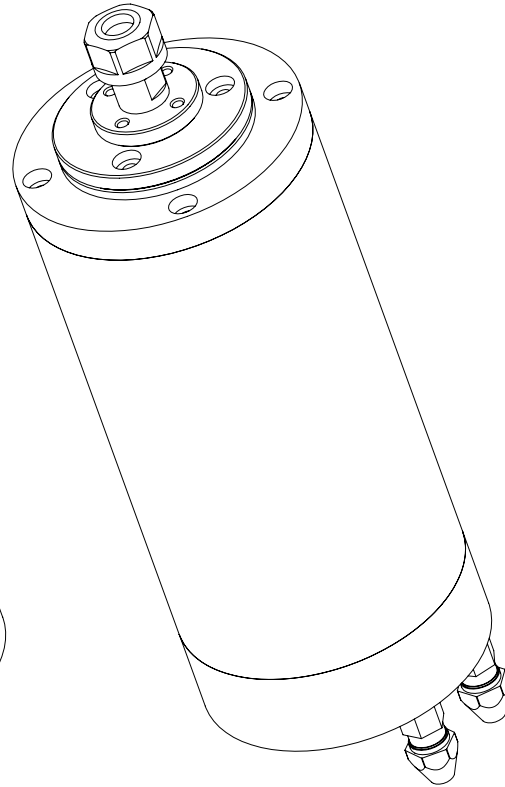
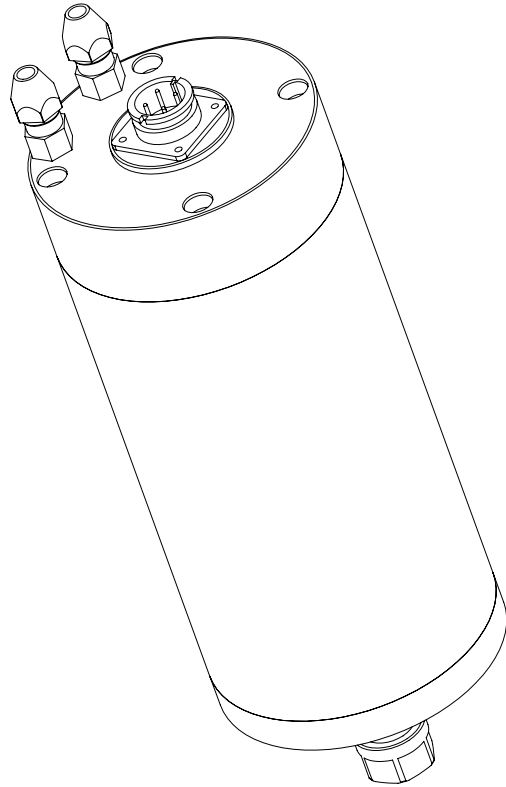
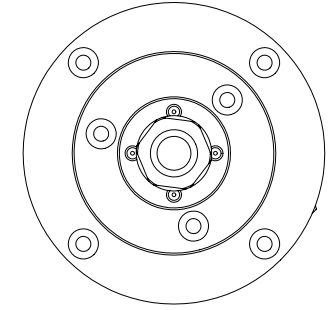
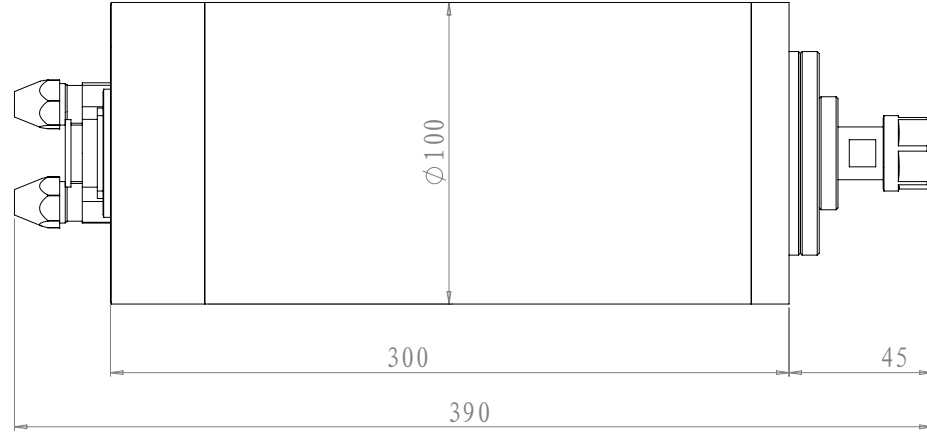
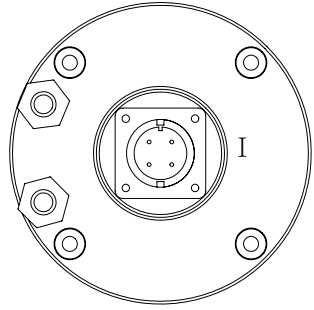


KL-4500



OD=100 MM , 300 MM length

Voltage: 380V

Speed: 5000-24000 R/min

Power: 4000~4500 W

Frequency: 400 Hz

Water Cooling, ER collet chuck

Grease Lubrication, NSK Bearing

Keling Technology Inc
www.kelinginc.net