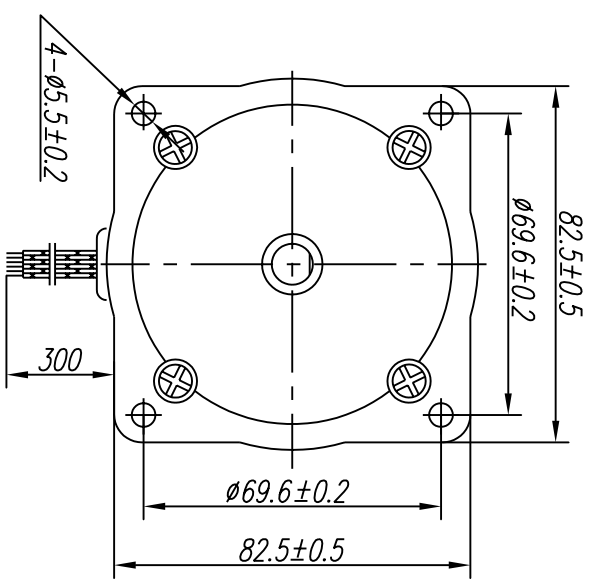
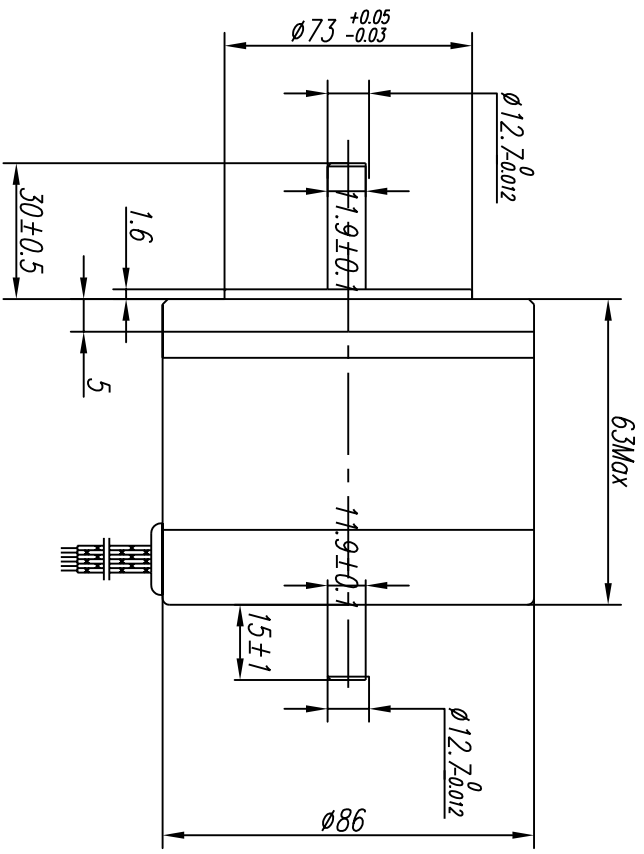


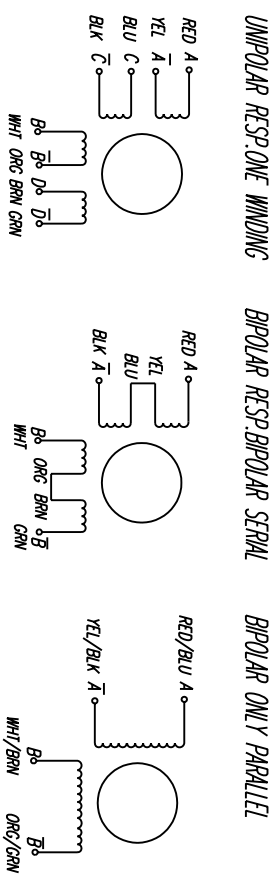
DIMENSIONS



SPECIFICATIONS unit=mm

PHASE	2	PHASE	
STEP ANGLE	1.8±5%	*/STEP	
DETENT TORQUE	4.5	N.cm Max	
INSULATION CLASS	B		
LEAD STYLE	AWG20 UL1007		
UNIPOLAR RESP ONE WINDING		BIPOLAR RESP BIPOLAR SERIAL	
CURRENT	1.25	A/PHASE	0.88
RESISTANCE	3.6 ±10%	Ω/PHASE	7.2 ±10%
INDUCTANCE	14 ±20%	mH/PHASE	56 ±20%
HOLDING TOCQUE	160	N.cm Min	210
		N.cm Min	210

COLORS OF LEAD WIRES BIPOLAR & UNI-POLAR



REV	QTY	NO.	SIG.	DT.							
DESIGN		20080823	CHECK								
PROC.			APPR.								
34HY263-12-8B											
SPECIFICATION											
Kejing Technology											