

STEPPING MOTOR

KL34H280-45-4A

COMMON RATINGS:

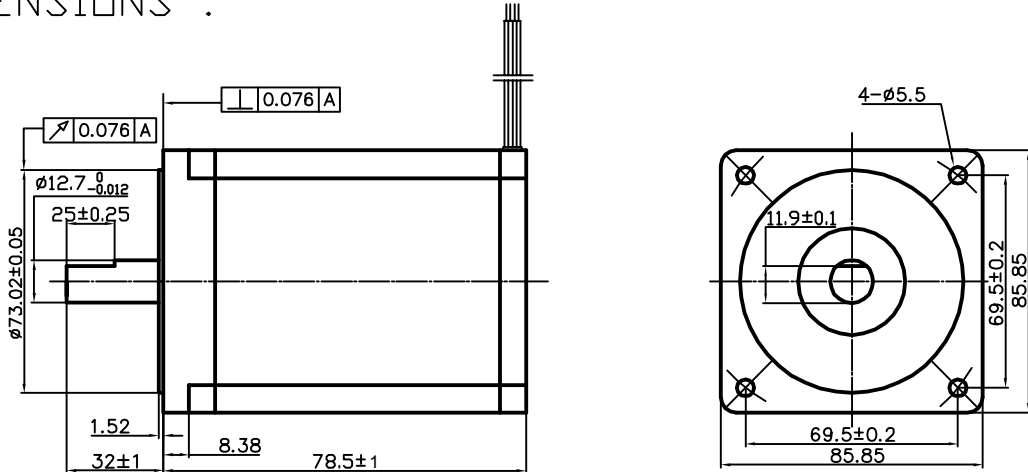
Step angle: 1.8°
 Positional accuracy: ±5%
 Number of Phase: 2
 Temperature rise: 80°C Max
 Inertia: 1600 gcm²

Dielectric strength: 500VDC
 Insulation resistance: 100MΩhm(500VDC)
 Radial play: 0.025mm Max.(load 450g)
 Insulation class: B
 Weight: 2.4kg

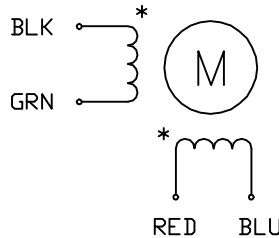
SPECIFICATIONS:

Rated VOLTAGE	Rated CURRENT	RESISTANCE	INDUCTANCE	HOLDING T
V	A	ohms ±10%	mH ±20%	N.m ±10%
4.05	4.5	0.9	6.8	4.5

DIMENSIONS :



WIRING DIAGRAM :



UL1430 AWG20# LENGTH 500±20

REV	ECN NO	DESCRIPTION	DRN	APP'D	DATE	DESIGN	DATE	P/N.
UNLESS OTHERWISE SPECIFIED TOLERANCES:						CHECK		TITLE
DECIMALS: .X ±0.5						APPD		SPECIFICATIONS
ANGULAR: .XX ±0.25 ±0°30'								USED ON
.XXX ±0.1								KL34H280-45-4A
UNIT: mm								DWG NO.
DO NOT SCALE DRAWING								REV
THIRD ANGLE PROJECTION						SCALE		A
						SHEET	OF	Keling Technology