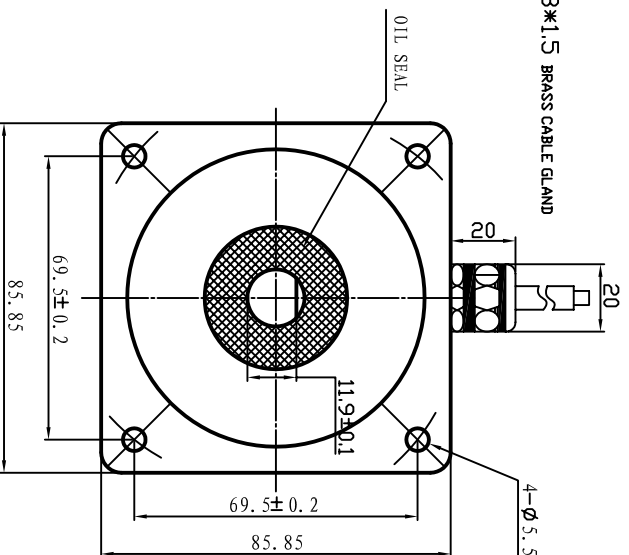
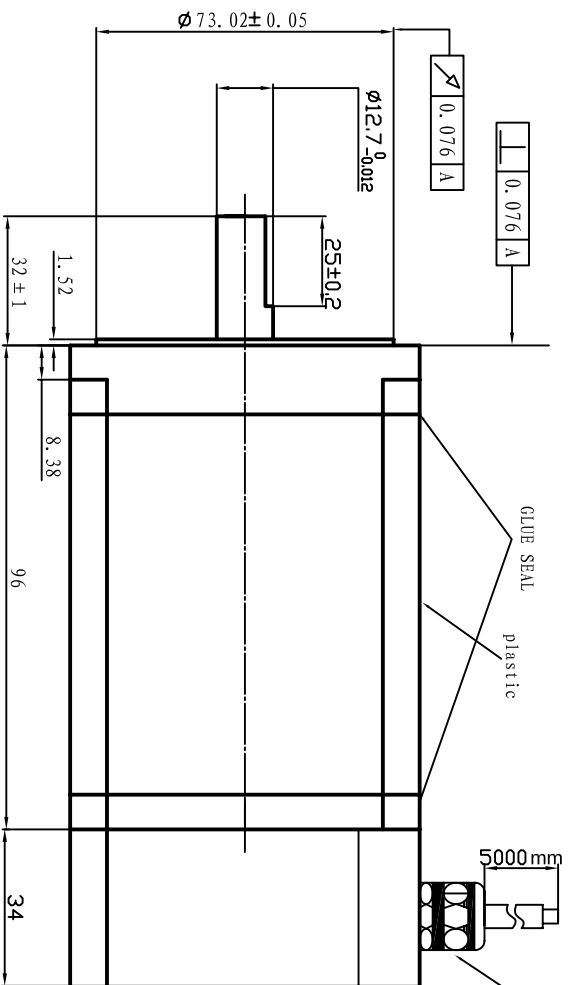
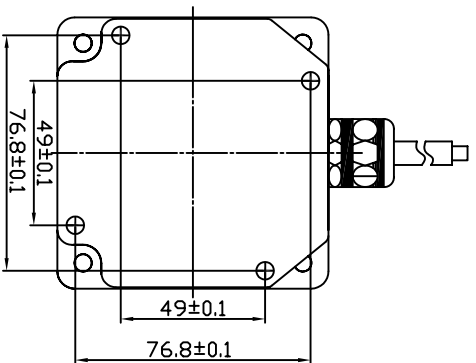
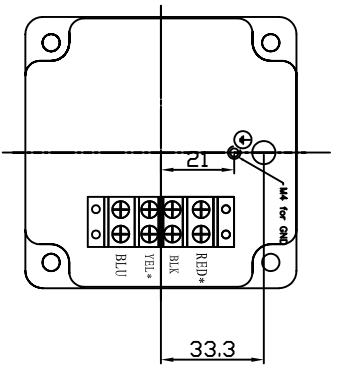


# Dimension:

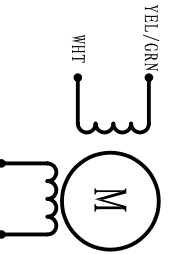


rear terminal box

inside rear terminal box



Wiring Diagram:



YGVZF 4 × 0.75 (Grey) L=5000mm

**Preliminary**

**BLACK FRONT&REAR COVER**

Specifications:

PHASE	STEP ANGLE	CONNECTION STYLE	CURRENT	RESISTANCE	INDUCTANCE	HOLDING TORQUE	ROTOR INERTIA	WEIGHT
2	1.8	parallel	6.1	0.35	3.3	6.4	1400	2.3
	DEC/STEP		A	ohms	mH	N.m	gcm <sup>2</sup>	Kg

REV	ECN	NO.	DESCRIPTION	DRN	APP'D	DATE	DESIGN	DATE	P/N
UNLESS OTHERWISE SPECIFIED									
TOLERANCES:									
DECIMALS: ANGULAR:									
.X ±0.5 ±0° 30'									
.XX ±0.25 ±0° 25'									
.XXX ±0.1 ±0° 15'									
UNIT: mm									
DO NOT SCALE DRAWING									
MATERIAL				CHECK		APPD		TITLE	
THIRD ANGLE PROJECTION				SHEET		DF		SPECIFICATIONS	
SCALE				REV		USED ON		KL34H295-61-4A-1P65	
SHEET				REV		REV		KELING TECHNOLOGY	