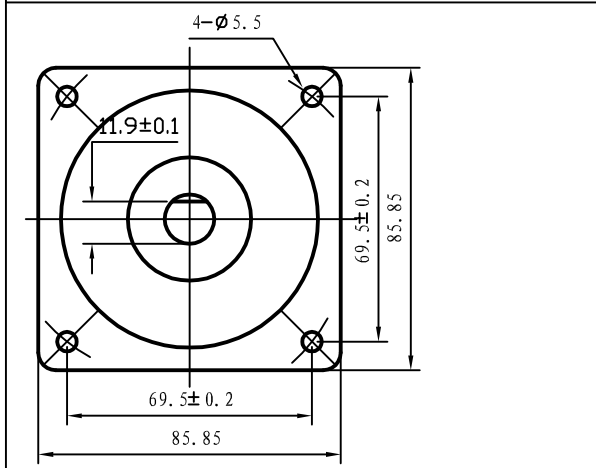
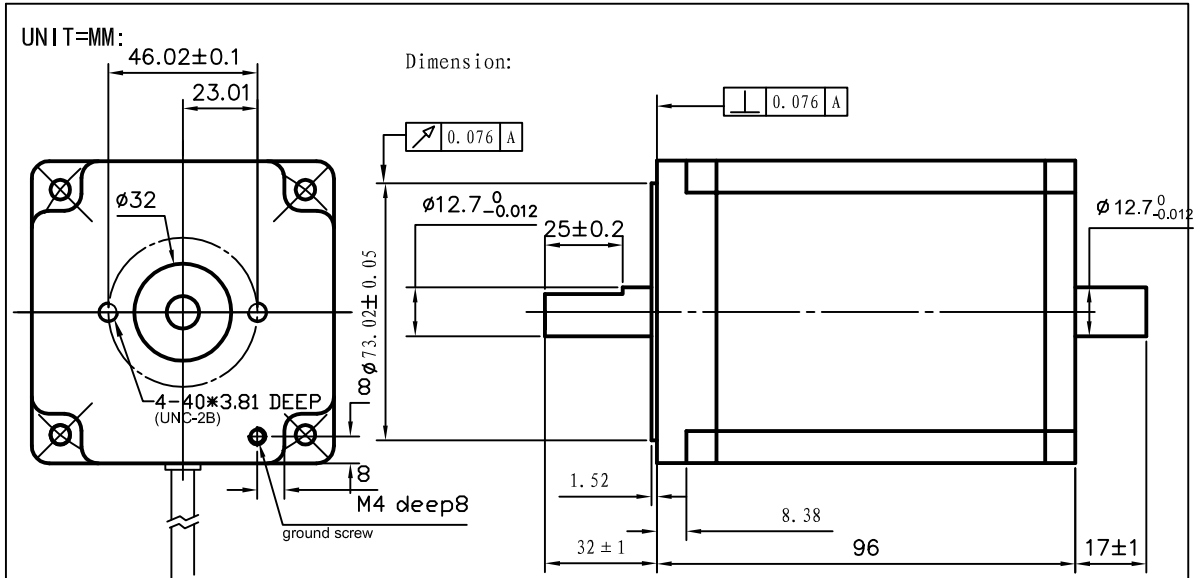
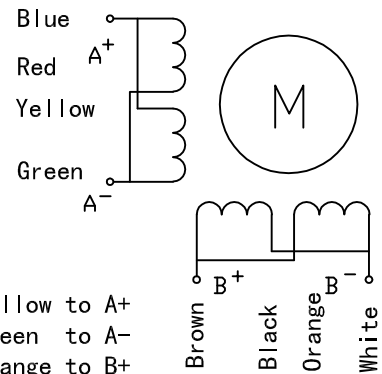


# Hybrid Stepper Motor

KL34H295-43-8B

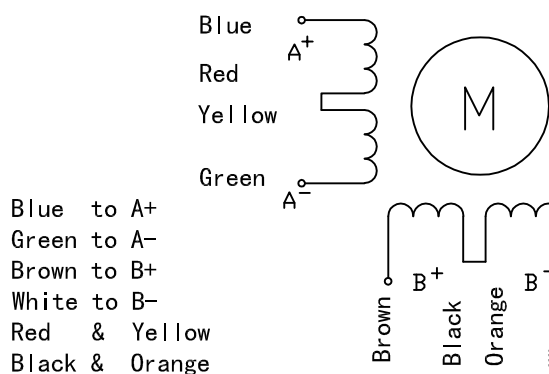


## Bipolar (Parallel) Connection



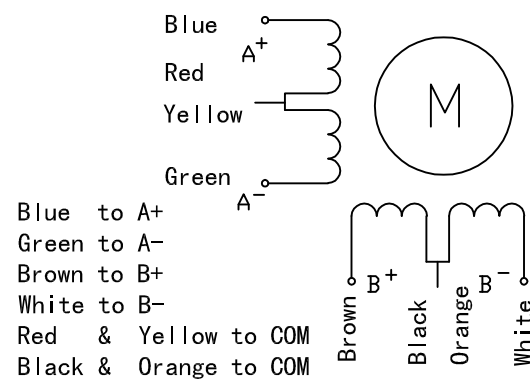
Blue & Yellow to A<sup>+</sup>  
 Red & Green to A<sup>-</sup>  
 Brown & Orange to B<sup>+</sup>  
 Black & White to B<sup>-</sup>

## Bipolar (Series) Connection



Blue to A<sup>+</sup>  
 Green to A<sup>-</sup>  
 Brown to B<sup>+</sup>  
 White to B<sup>-</sup>  
 Red & Yellow  
 Black & Orange

## Unipolar Connection



Blue to A<sup>+</sup>  
 Green to A<sup>-</sup>  
 Brown to B<sup>+</sup>  
 White to B<sup>-</sup>  
 Red & Yellow to COM  
 Black & Orange to COM

STEP ANGLE	CONNECTION STYLE	CURRENT	RESISTANCE	INDUCTANCE	HOLDING TORQUE	ROTOR INERTIA	WEIGHT
DEG/STEP		A	ohms	mH	OZ-IN	gcm <sup>2</sup>	Kg
1.8	Parallel	6.1	0.35	3.3	960	1400	2.3
	Series	3.05	1.4	13.2			
	Unipolar	4.3	0.7	3.3	640		