

Hybrid Stepping Motor

Type:KL34H280-55-4A

COMMON RATINGS

Step angle: 1.8°

Positional accuracy: +/-5%

Number of Phase: 4

Temperature rise: 80°C Max

Inertia: 1600 gcm²

Dielectric strength: 500VDC

Insulation resistance: 100M0hm(500VDC)

Radial play: 0.025mm max.(load 450g)

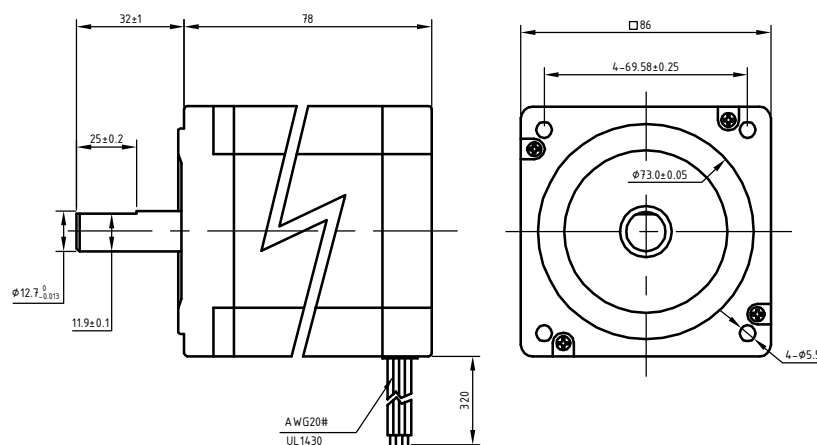
Insulating class: B

Weight: 2.4 kg

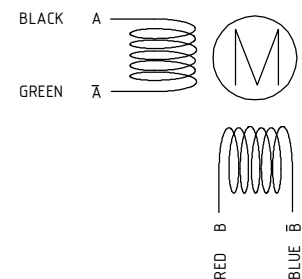
SPECIFICATIONS

	Holding Torque (2 phases on) N.m ±10%	Rated Current/Phase (Amps DC)	Phase Resistance (ohms) ±10%	Voltage Current/Phase (V DC)	Phase Inductance (mH) ±20% Typical (1kHz)
Bipolar	4.5	5.5	0.43	2.4	4.0

DIMENSIONS unit=mm



CONNECTIONS



KL34H280-55-4A

Keling Technology, Inc