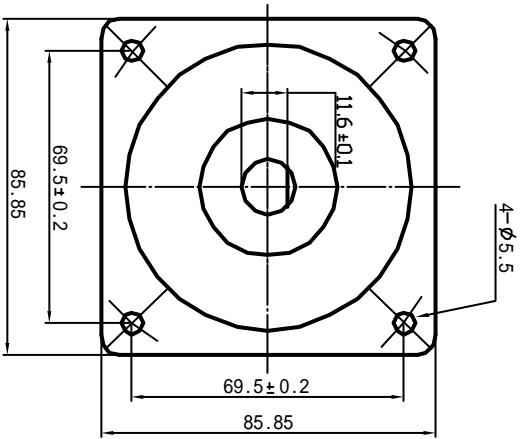
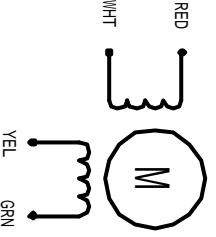


Dimension:



Wiring Diagram:



UL1007-AWG18# length 310mm

Specifications:

Phase	Step Angle	Current	Resistance	Inductance	Holding Torque	Rotor Inertia	Weight
2	1.8	6 A	0.4 ohms	3.5 mH	4.5 N.m	1400 gm ²	2.3 Kg

REV/ECCN	NO.	DESCRIPTION	DATE	CHECK	DESIGN	TITLE
		UNLESS OTHERWISE SPECIFIED				SPECIFICATIONS
		TOLERANCES:				
		DECIMALS:	±0.5			
		ANGULAR:	±0.25			
		.XX	±0.1			
		.XXX	±0.1			
		UNIT: mm				
		DO NOT SCALE DRAWING				
		MATERIAL				
		THIRD ANGLE PROJECTION				
		SCALE				
		SHEET				
		DF				
		TITLE				
		USED IN				
		KL34H280-60-4B				
		DWG NO.				
		REV				
		DATE				
		APPD				
		DATE				

Keling