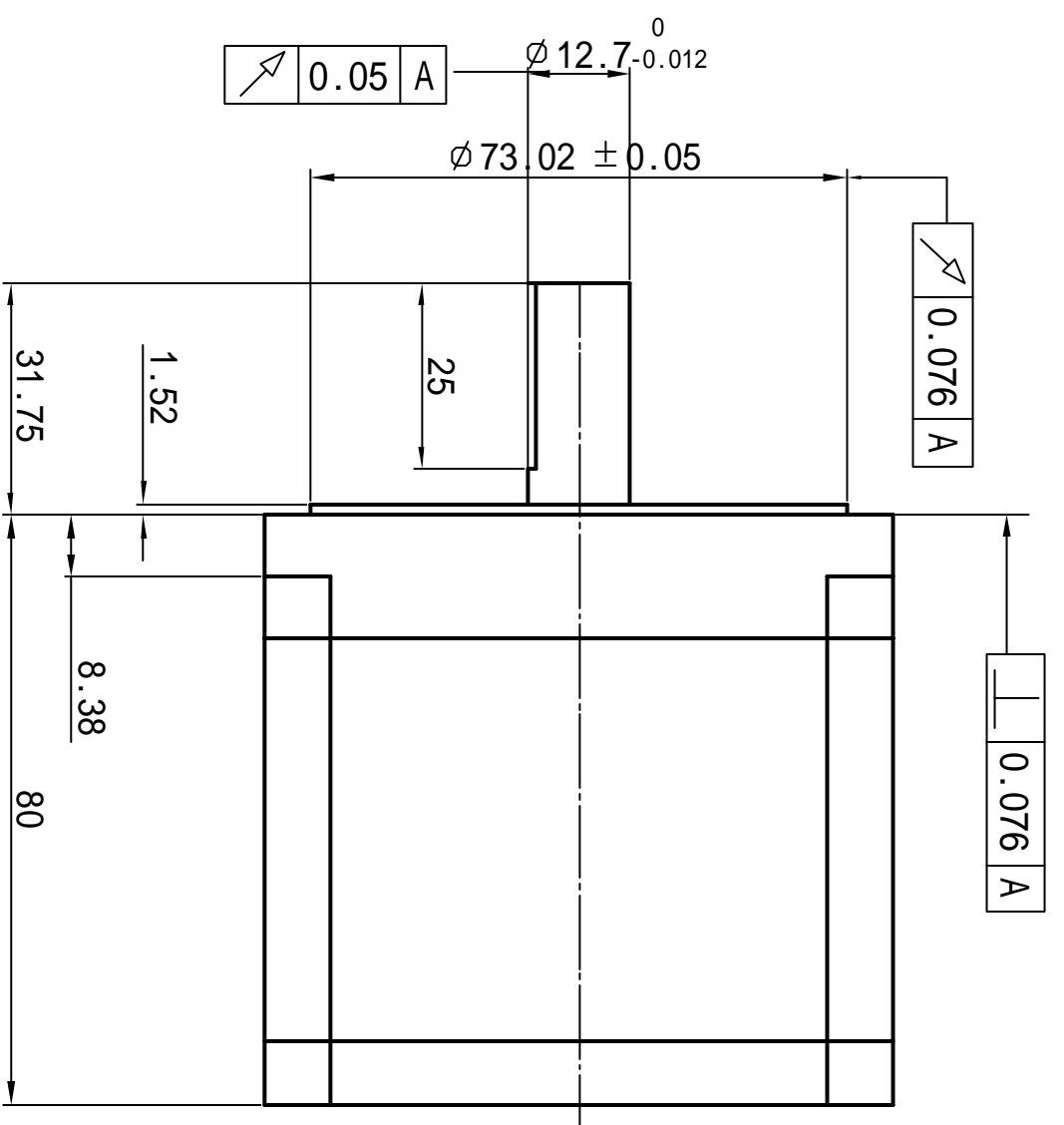
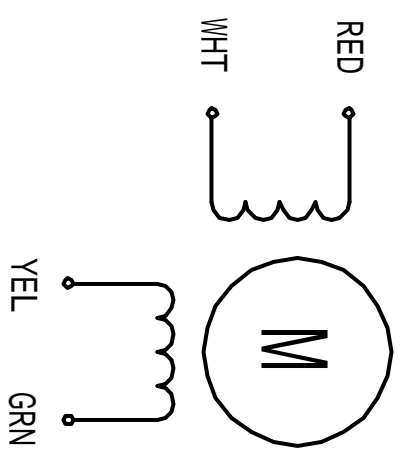
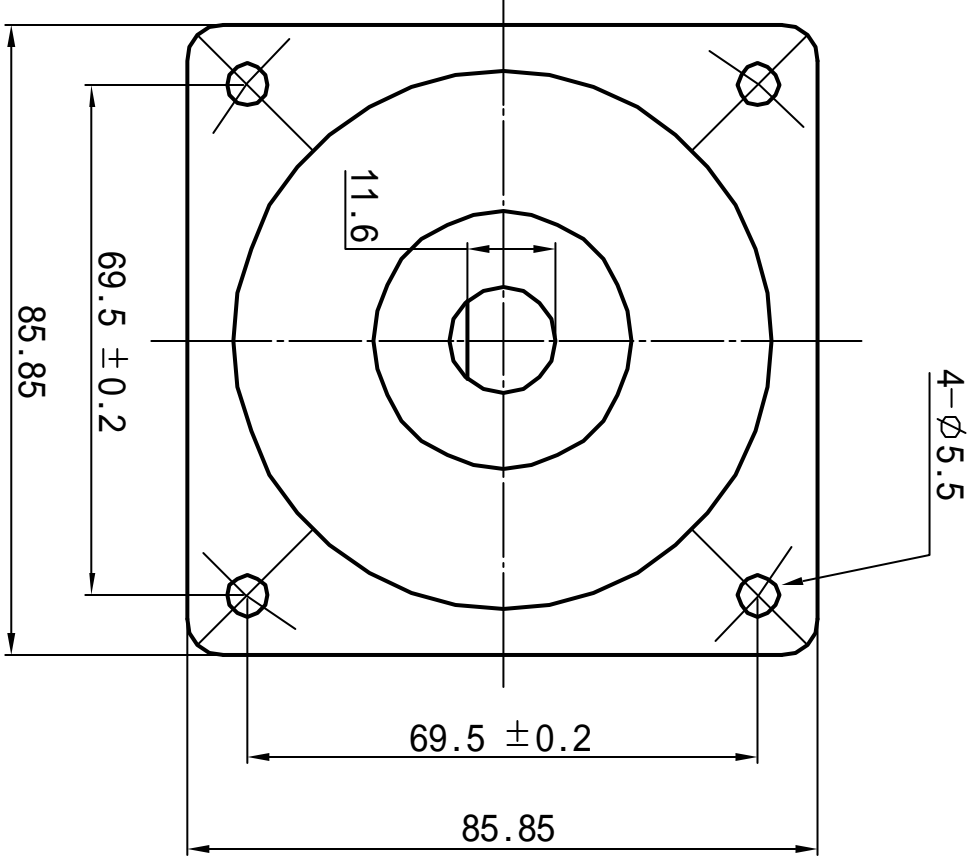


Dimension :



BLACK FRONT & REAR COVER

Wiring Diagram :



UL1007-AWG18# length 310mm

Specifications :

Phase	Step Angle	Current	Resistance	Inductance	Holding Torque	Rotor Inertia	Weight
2	1.8	6 A	0.4 ohms	3.5 mH	4.5 N.m	1400 gcm ²	2.3 Kg

REV	ECN NO.	DESCRIPTION	DRN	APP'D	DATE	DESIGN	DATE	P/N
UNLESS OTHERWISE SPECIFIED								
TOLERANCES:								
DECIMALS:			ANGULAR:					
.X			±0.5			±0°30'		
.XX			±0.25					
.XXX			±0.1					
UNIT: mm								
DO NOT SCALE DRAWING								
MATERIAL			CHECK			TITLE		
THIRD ANGLE PROJECTION			APPD			SPECIFICATIONS		
SCALE			SHEET			USED ON		
DF			REV			KL34H280-60-4A		
						DWG NO.		
						REV		
						Keiing		