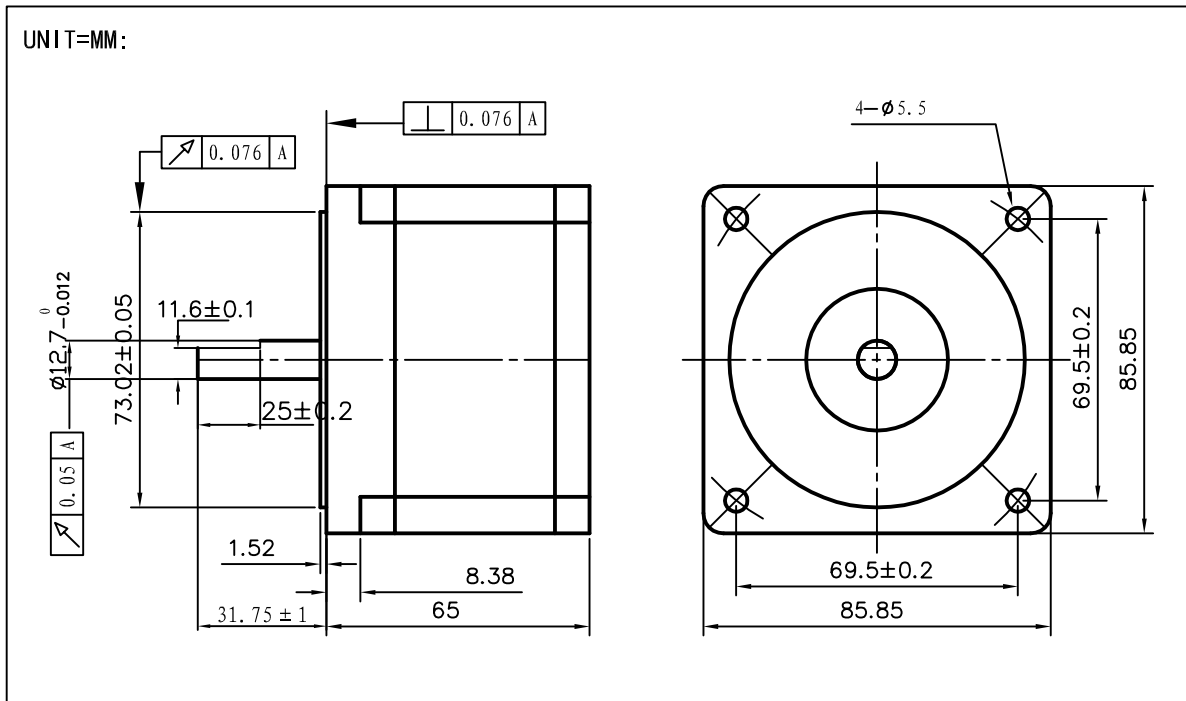


Hybrid Stepper Motor

KL34H265-60-4A



PHASE	STEP ANGLE	CURRENT	RESISTANCE	INDUCTANCE	HOLDING TORQUE	ROTOR INERTIA	WEIGHT
	DEG/STEP	A	ohms	mH	OZ-IN	gcm ²	Kg
2	1.8	6.0	0.29	1.7	465	1000	1.7

