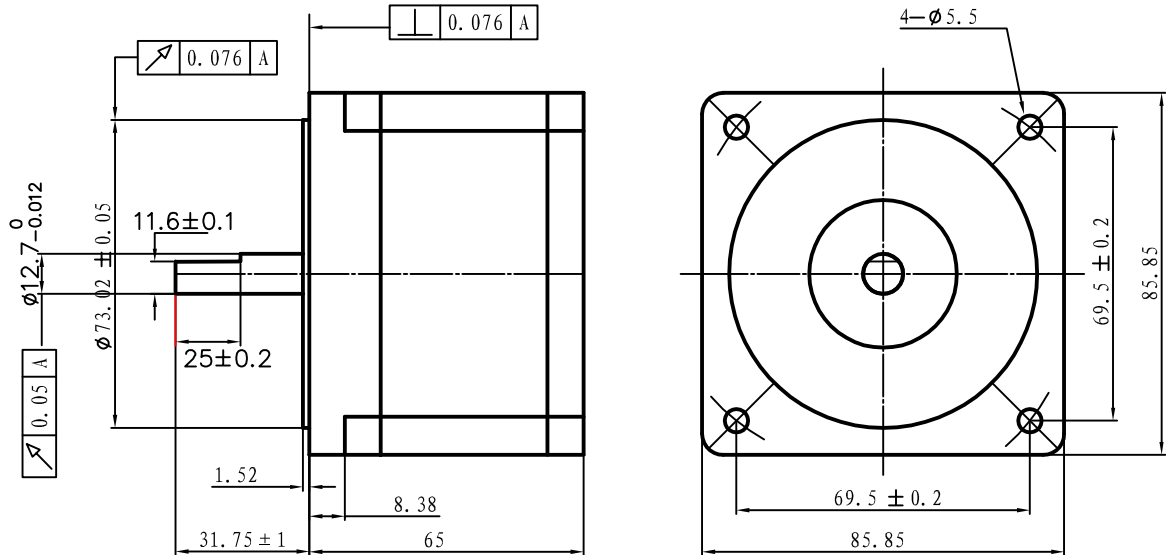


Hybrid Stepper Motor

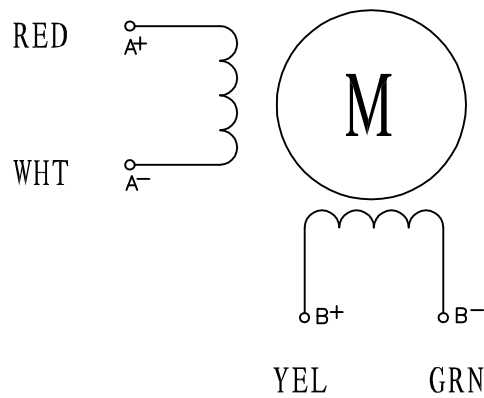
KL34H260-06-4A

UNIT=MM



BLACK FRONT&REAR COVER

PHASE	STEP ANGLE	CURRENT	RESISTANCE	INDUCTANCE	HOLDING TORQUE	ROTOR INERTIA	WEIGHT
	DEG/STEP	A	ohms	mH	oz-in	gcm ²	Kg
2	1.8	6.0	0.29	1.7	465	1000	1.7



Black to A+

Green to A-

Red to B+

Blue to B-

1430-AWG18#LENGTH310mm