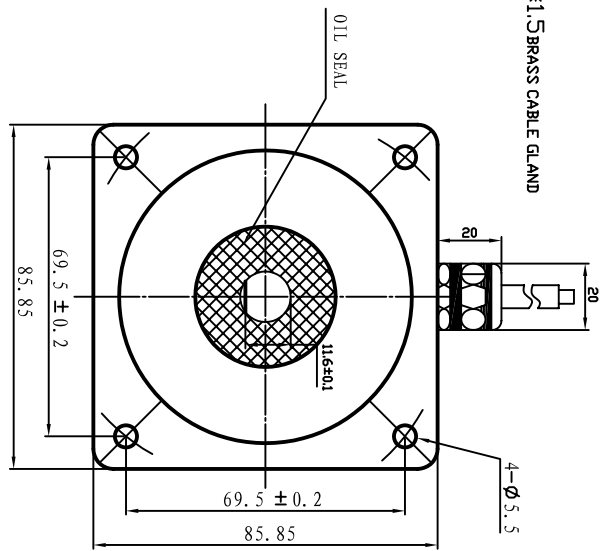
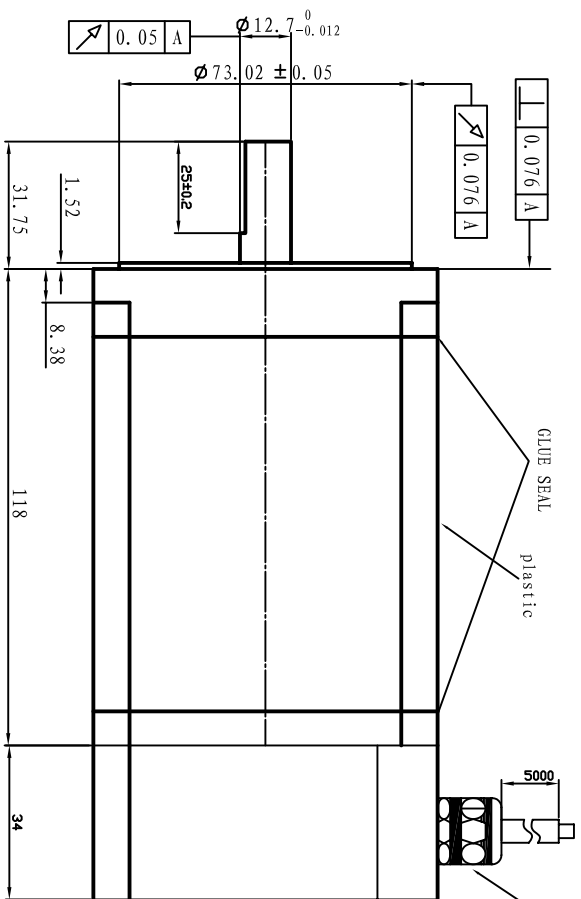
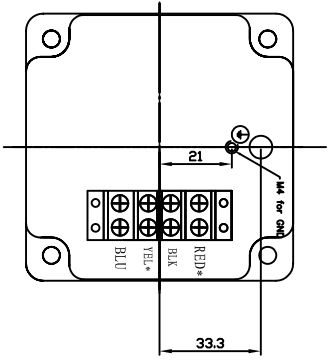


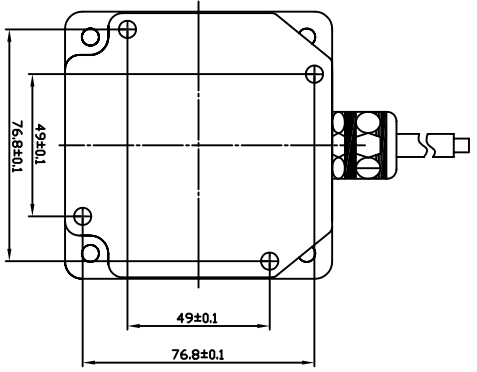
Dimension:



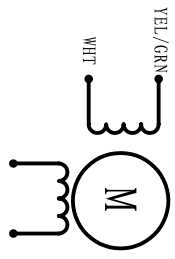
inside rear terminal box



rear terminal box



Preliminary



Wiring Diagram:

Specifications:

PHASE	STEP ANGLE	CURRENT	RESISTANCE	INDUCTANCE	HOLDING TORQUE	ROTOR INERTIA	WEIGHT
2	1.8	6.0	0.5 ohms	6 mH	8.5 N.m	2700 gcm ²	3.8 Kg

YGZF 4 × 0.75 (Grey) L=5000mm

BLACK FRONT&REAR COVER

REV	ECN NO.	DESCRIPTION	DRN	APP'D	DATE	DESIGN	DATE	P/N
UNLESS OTHERWISE SPECIFIED								
TOLERANCES:								
DECIMALS:			ANGULAR:					
.X ±0.5			±0°30'					
.XX ±0.25								
.XXX ±0.1								
UNIT: mm								
DO NOT SCALE DRAWING								
MATERIAL			CHECK			TITLE		
THIRD ANGLE PROJECTION			APPD			SPECIFICATIONS		
SCALE			SHEET			USED ON		
OF			REV			KL34H2120-06-4A-IP65		
KELING TECHNOLOGY								