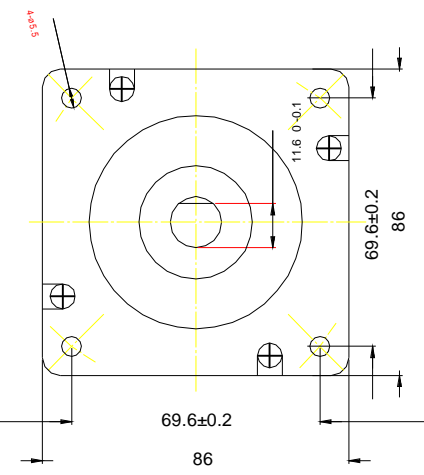
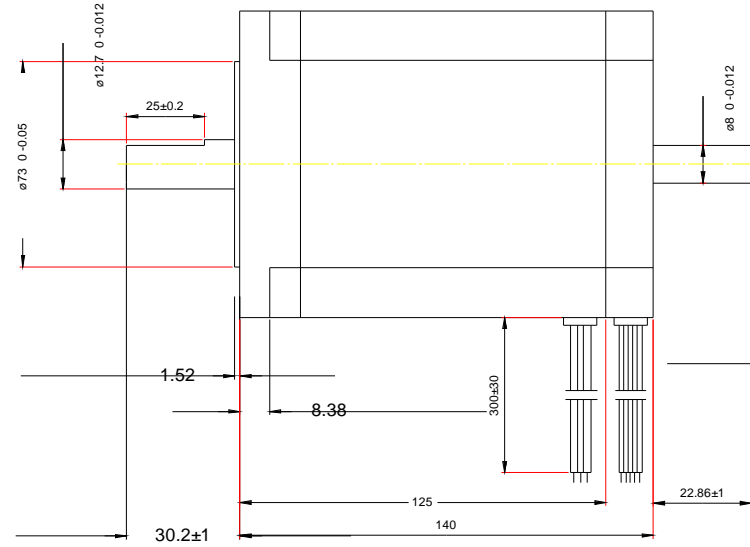
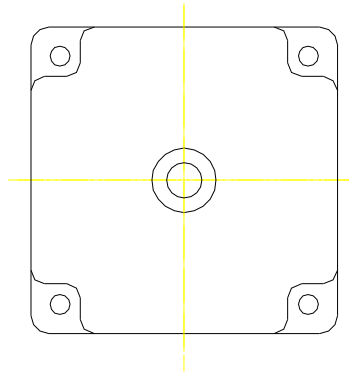
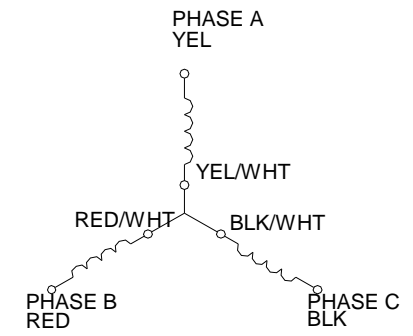


Dimension:



Wiring Diagram:



KL34BLS-125
Keling Technology Inc

MODEL	KL34BLS-125
NUMBER OF POLE	8 POLES
PHASE RESISTANCE	80mohms
PHASE INDUCTANCE	0.1mH
NOMINAL VOLTAGE	48VDC
ROTOR INERTIA	2.4kg.cm ²
WEIGHT	4kg
INSULATION CLASS	B
CONNECTING MODEL	STAR
RATED TORQUE	2.1N.m
RATED SPEED	3000RPM
PEAK TORQUE	6.3N.m
PEAK CURRENT	55A
TORQUE CONSTANT	0.117N.m/A

WIRE DIAGRAM

UL3266 AWG20#
HALL+5V HALL A HALL B HALL C HALL/G MOTOR/U MOTOR V MOTOR W
RED WHT BLU GRN BLK YEL RED BLK