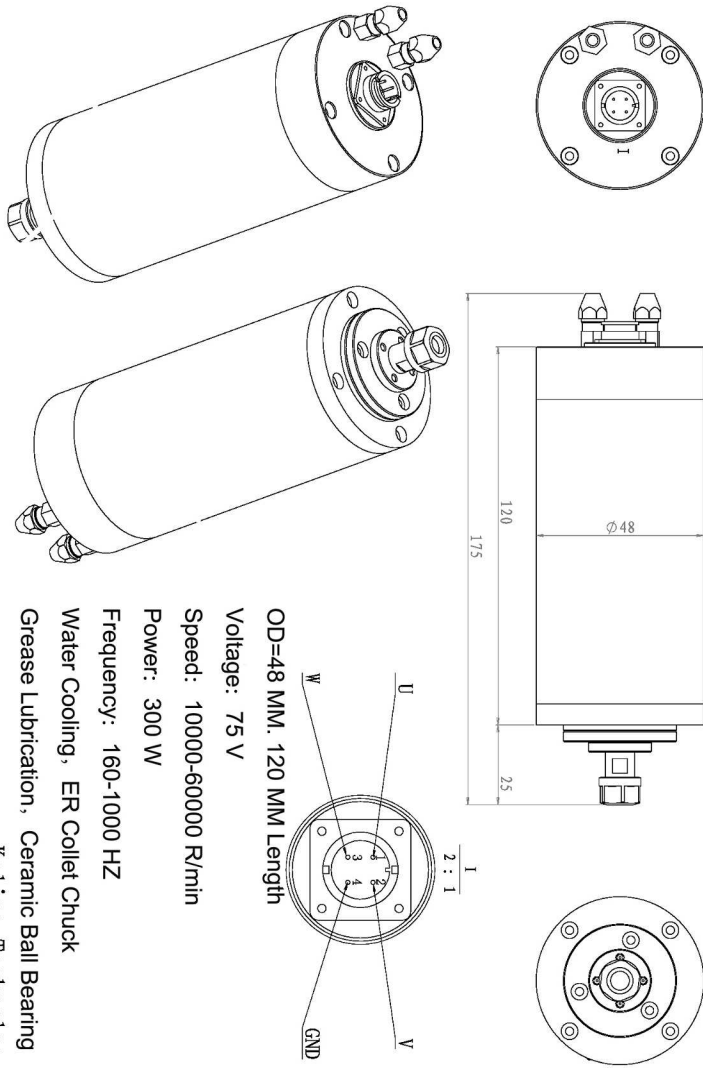


# KL-300



OD=48 MM. 120 MM Length  
Voltage: 75 V  
Speed: 10000-60000 R/min  
Power: 300 W  
Frequency: 160-1000 HZ  
Water Cooling: ER Collet Chuck  
Grease Lubrication, Ceramic Ball Bearing

Keling Technology Inc  
www.kelinginc.net