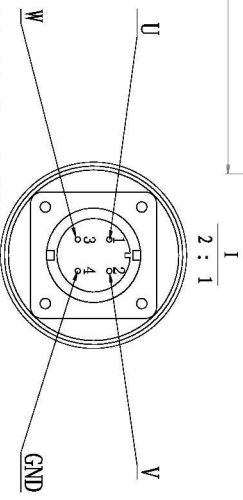
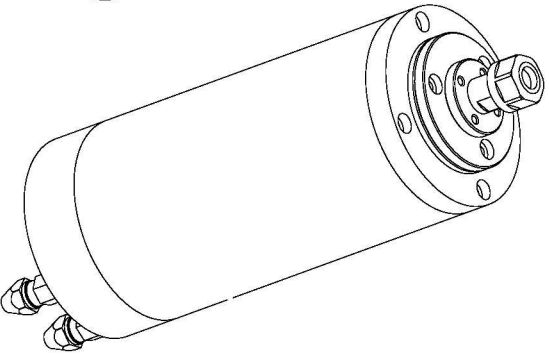
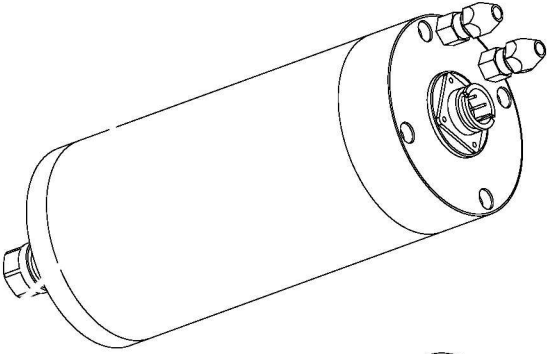
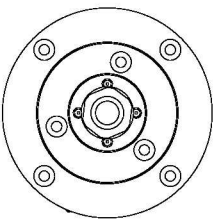
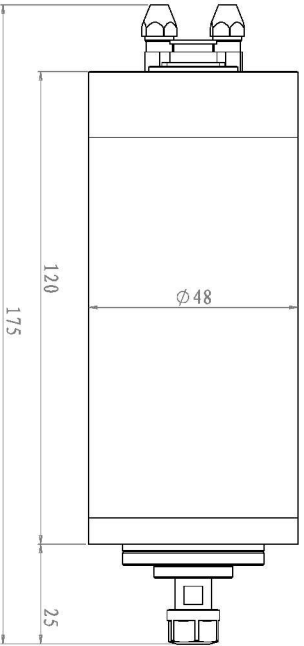
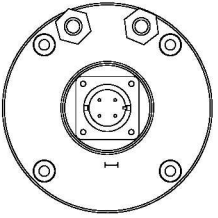


KL-300



OD=48 MM. 120 MM Length

Voltage: 75 V

Speed: 10000-60000 R/min

Power: 300 W

Frequency: 160-1000 HZ

Water Cooling, ER Collet Chuck

Grease Lubrication, Ceramic Ball Bearing

Keling Technology Inc
www.kelinginc.net