

Hybrid Stepping Motor

Type:23HM276-30-8A

COMMON RATINGS

Step angle:0.9°

Positional accuracy: +/-5%

Number of Phase: 4

Temperature rise: 80°C Max

Inertia: 480 gcm²

Dielectric strength: 500VDC

Insulation resistance: 100MOhm(500VDC)

Radial play: 0.025mm max.(load 450g)

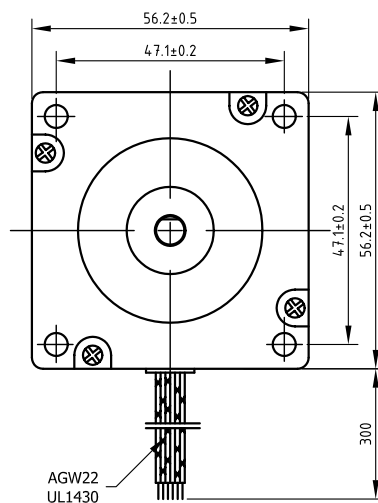
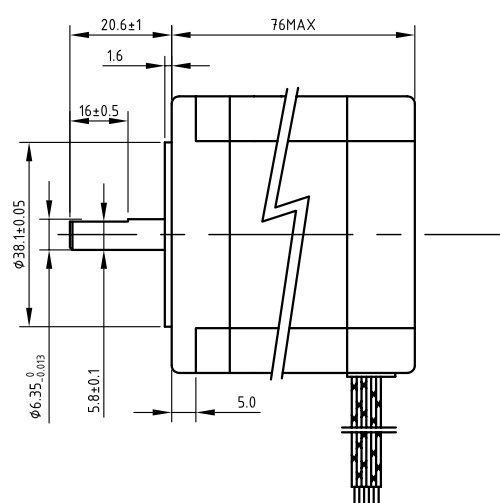
Insulating class: B

Weight: 1.0 kg

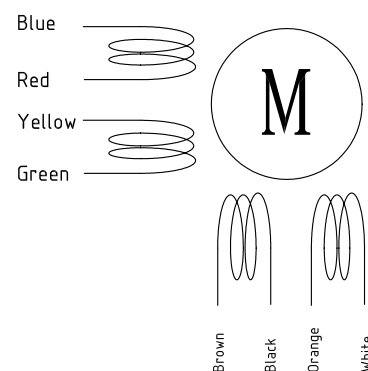
SPECIFICATIONS

	Holding Torque (2 phases on) N.m ±10%	Rated Current/Phase (Amps DC)	Phase Resistance (ohms) ±10%	Phase Inductance (mH) ±20% Typical
Bipolar(Parallel)	2.0	4.2	0.46	2.2
Bipolar(Series)	2.0	2.1	1.84	8.8
Unipolar	1.4	3.0	0.92	2.2

DIMENSIONS unit=mm



CONNECTIONS



						23HM276-30-8A			技术规格书		
标记	处数	分区	更改文件号	签名	日期						
设计			标准化						Keling Technology, Inc		
审核											
工艺			批准			共 张	第 张				