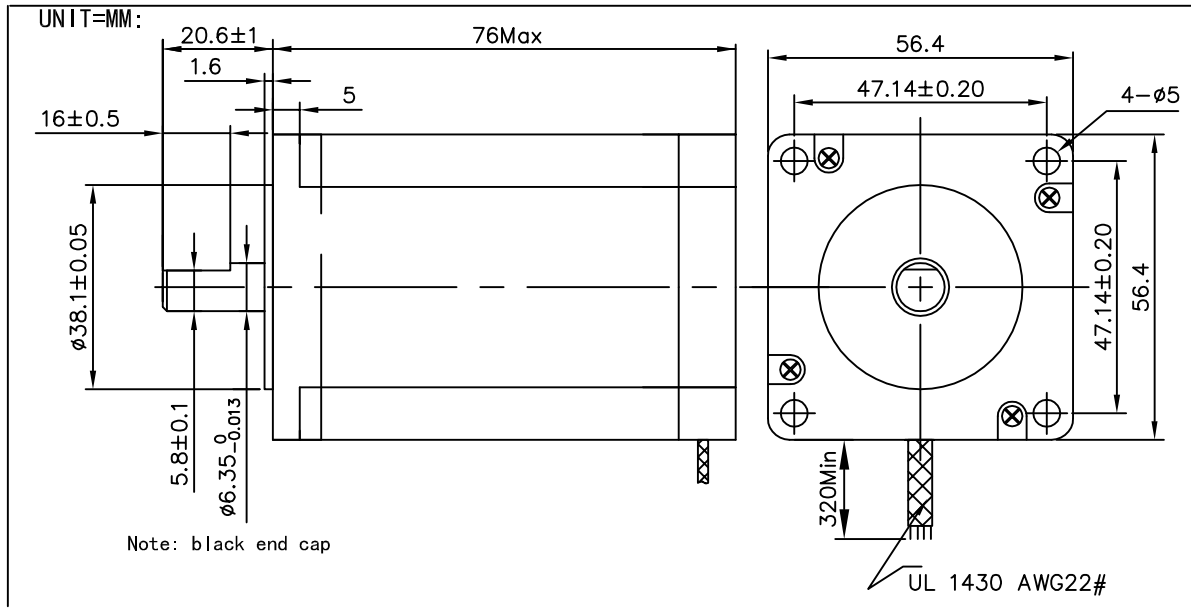


# Hybrid Stepper Motor

## KL23H276-30-8A



	STEP PHASE	RATED VOLTAGE	CURRENT /PHASE	RESISTANCE /PHASE	INDUCTANCE /PHASE	HOLDING TORQUE	ROTOR INERTIA	WEIGHT
	DEG/STEP	V	A	ohms	mH	OZ-IN	gcm <sup>2</sup>	Kg
Unipolar	1.8	2.76	3.0	0.92	2.2	198	480	1.0
Bipolar (Series)		3.86	2.1	1.84	8.8	282		
Bipolar (Parallel)		1.93	4.2	0.46	2.2	282		

