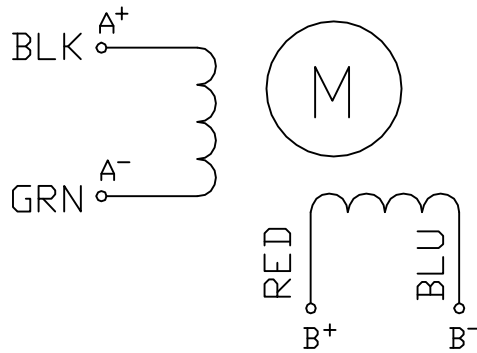


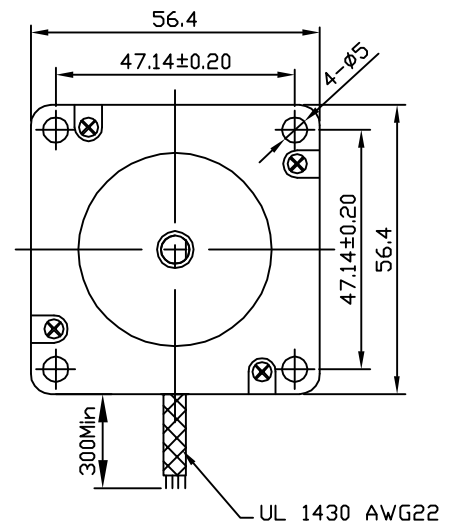
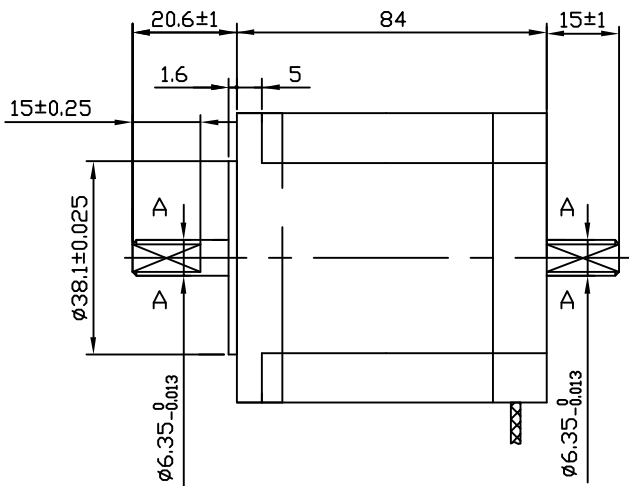
specifications:

MODEL	PHASE	STEP ANGLE	RATED VOLTAGE	CURRENT /PHASE	RESISTANCE /PHASE	INDUCTANCE /PHASE	HOLDING TORQUE	ROTOR INERTIA	WEIGHT
		DEG/STEP	V	A	ohms	mH	OZ.IN	gcm ²	Kg
	2	1.8	3.15	3.5	1.0	4.1	355	520	1.1

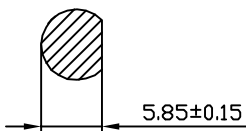
Wiring Diagram:



Dimension:



A-A



Note: black end cap

DESIGN	DATE	P/N.
CHECK		TITLE: SPECIFICATION
APPD		USED ON: KL23H284-35-4B
SCALE		DWG NO.
SHEET OF		REV B

UNLESS OTHERWISE SPECIFIED TOLERANCES:
 DECIMALS: .X ±0.5
 .XX ±0.25
 .XXX ±0.1
 UNIT: mm
 DO NOT SCALE DRAWING

MATERIAL

THIRD ANGLE PROJECTION