

Keling Technology, Inc

Hybrid Stepper Motor Type:KL23H276-30-6A

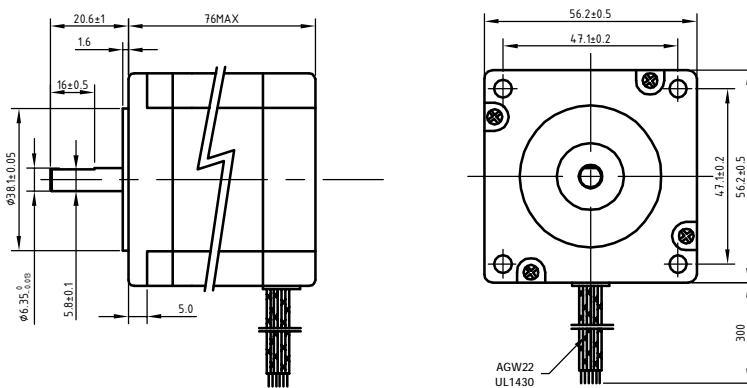
COMMON RATINGS

Step angle:1.8°	Dielectric strength: 500VDC
Positional accuracy: +/-5%	Insulation resistance: 100M0hm(500VDC)
Number of Phase: 4	Radial play: 0.025mm max.(load 450g)
Temperature rise: 80°C Max	Insulating class: B
Inertia: 480 gcm ²	Weight: 1.0 kg

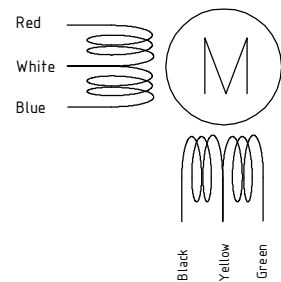
SPECIFICATIONS

	Holding Torque (2 phases on) N.m ±10%	Rated Current/Phase (Amps DC)	Phase Reslstance (ohms) ±10%	Phase Inductance (mH) ±20% Typical
Bipolar(Series)	2.0	2.1	1.84	8.8
Unipolar	1.4	3.0	0.92	2.2

DIMENSIONS unit=mm



CONNECTIONS



Bipolar (Parallel) Connection	Bipolar (Series) Connection	Unipolar Connection