

# Keling Technology, Inc

## Hybrid Stepper Motor Type: KL23H276-30-4A

### COMMON RATINGS

Step angle: 1.8°

Positional accuracy: +/-5%

Number of Phase: 2

Temperature rise: 80°C Max

Inertia: 480 gcm<sup>2</sup>

Dielectric strength: 500VDC

Insulation resistance: 100M0hm(500VDC)

Radial play: 0.025mm max.(load 450g)

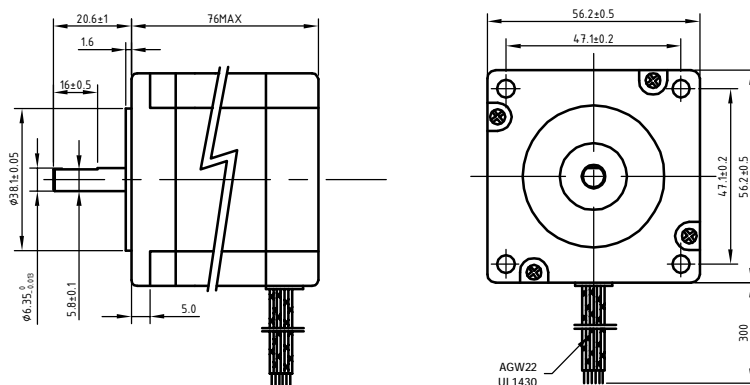
Insulating class: B

Weight: 1.0 kg

### SPECIFICATIONS

	Holding Torque (2 phases on) N.m ±10%	Rated Current/Phase (Amps DC)	Phase Resistance (ohms) ±10%	Phase Inductance (mH) ±20% Typical
Bipolar	2.0	3.0	1.2	4.7

### DIMENSIONS unit=mm



### CONNECTIONS

