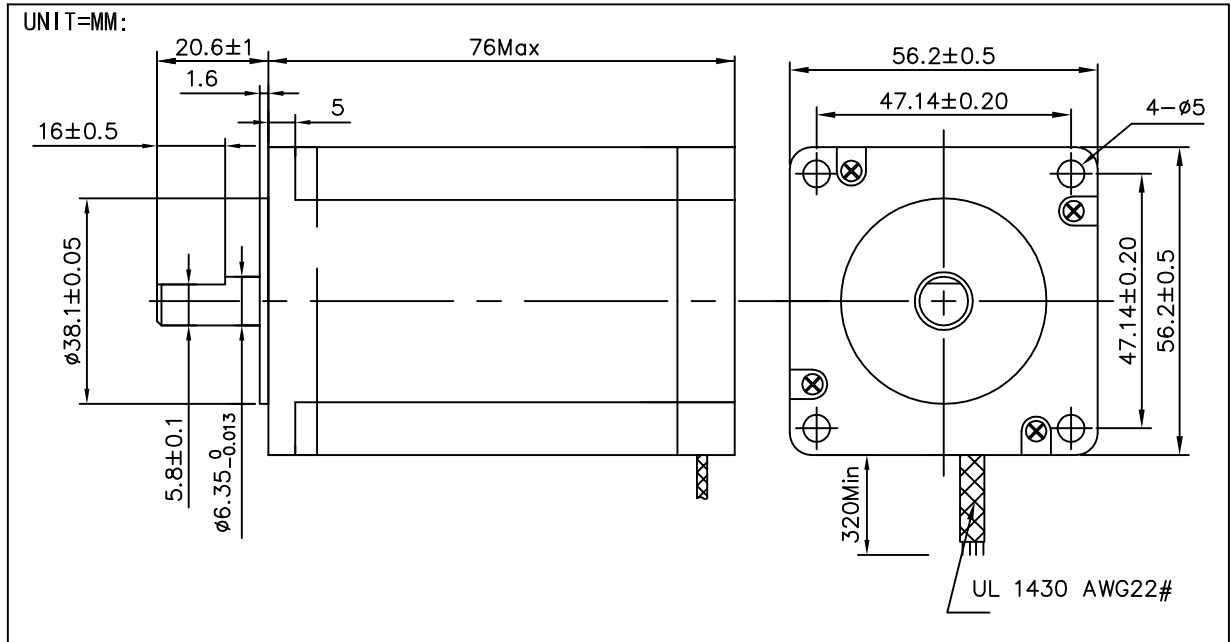


Hybrid Stepper Motor

KL34H276-30-6A



STEP ANGLE	CONNECTION STYLE	CURRENT	RESISTANCE	INDUCTANCE	HOLDING TORQUE	ROTOR INERTIA	WEIGHT
DEG/STEP		A	ohms	mH	OZ-IN	gcm ²	Kg
1.8	Series	2.1	1.84	8.8	282		
	Unipolar	3.0	0.92	2.2	197		

