

Keling Technology, Inc

KL23H76-30-4AM

COMMON RATINGS

Step angle: 0.9°

Positional accuracy: +/-5%

Number of Phase: 2

Temperature rise: 80°C Max

Inertia: 480 gcm²

Dielectric strength: 500VDC

Insulation resistance: 100MΩ(500VDC)

Radial play: 0.025mm max.(load 450g)

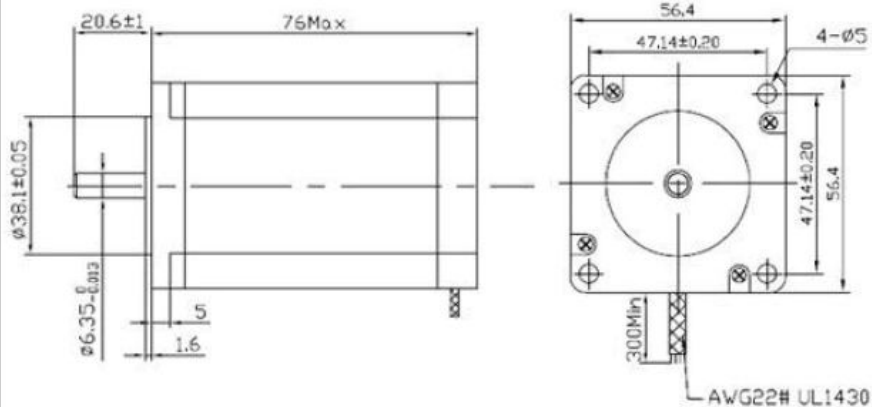
Insulating class: B

Weight: 1.0 kg

SPECIFICATIONS

MODEL	PHASE	STEP ANGLE	RATED VOLTAGE	CURRENT /PHASE	RESISTANCE /PHASE	INDUCTANCE /PHASE	HOLDING TORQUE	DETENT TORQUE	ROTOR INERTIA	WEIGHT
		DEG/STEP	V	A	ohms	mH	oz-in	N.cm	g.cm ²	kg
	2	0.9	3.0	3.0	1.0	4.3	282	6.8	480	1.0

DIMENSIONS unit=mm



CONNECTIONS

