

Hybrid Stepping Motor

Type:KL23H262-21-8A

COMMON RATINGS

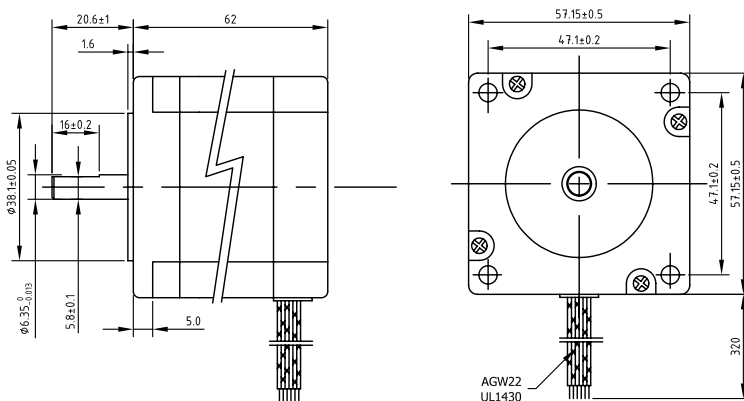
Step angle:1.8°
 Positional accuracy: +/-5%
 Number of Phase: 4
 Temperature rise: 80°C Max
 Inertia: 300 gcm²

Dielectric strength: 500VDC
 Insulation resistance: 100MΩ(500VDC)
 Radial play: 0.025mm max.(load 450g)
 Insulating class: B
 Weight: 0.85 kg

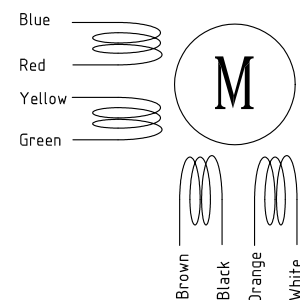
SPECIFICATIONS

	Holding Torque (2 phases on) ±10%N.m	Rated Current/Phase (Amps DC)	Phase Resistance (ohms) ±10%	Phase Inductance (mH) ±20% Typical
Bipolar(Parallel)	1.28	3.0	0.62	2.1
Bipolar(Series)	1.28	1.5	1.46	8.4
Unipoar	0.9	2.12	1.23	2.1

DIMENSIONS unit=mm



CONNECTIONS



Bipolar (Parallel) Connection	Bipolar (Series) Connection	Unipolar Connection