

Hybrid Stepping Motor

Type:KL23H255-21-8A

COMMON RATINGS

Step angle:1.8°

Positional accuracy: +/-5%

Number of Phase: 4

Temperature rise: 80°C Max

Inertia: 280 gcm²

Dielectric strength: 500VDC

Insulation resistance: 100MΩ(500VDC)

Radial play: 0.025mm max.(load 450g)

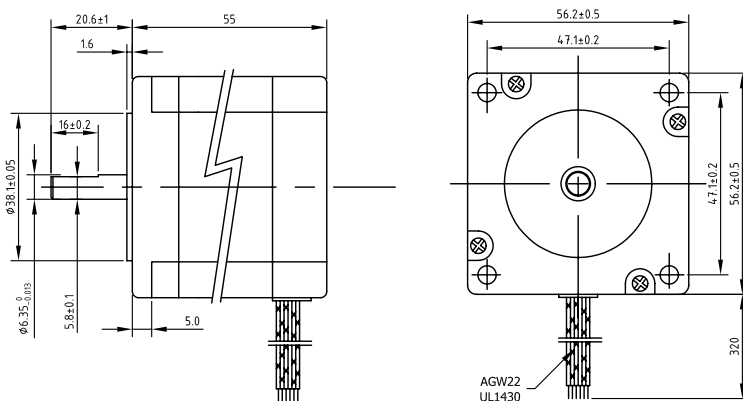
Insulating class: B

Weight: 0.71 kg

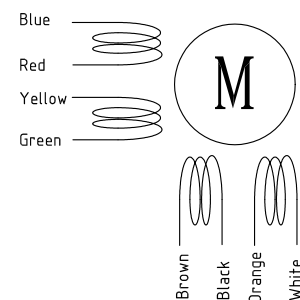
SPECIFICATIONS

	Holding Torque (2 phases on) ±10%N.m	Rated Current/Phase (Amps DC)	Phase Resistance (ohms) ±10%	Phase Inductance (mH) ±20% Typical
Bipolar(Parallel)	1.2	3.0	0.73	3.8
Bipolar(Series)	1.2	1.5	2.92	15
Unipoar	0.9	2.1	1.46	3.8

DIMENSIONS unit=mm



CONNECTIONS



Bipolar (Parallel) Connection	Bipolar (Series) Connection	Unipolar Connection