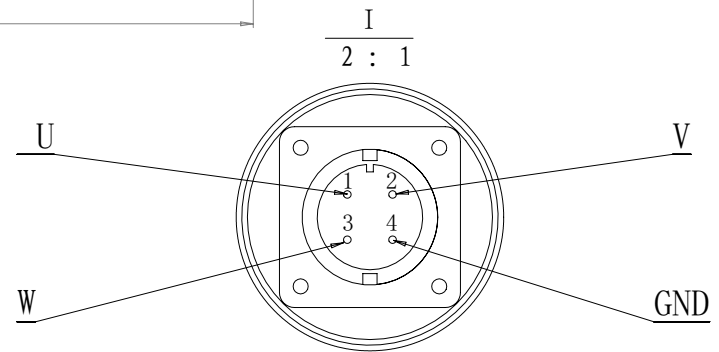
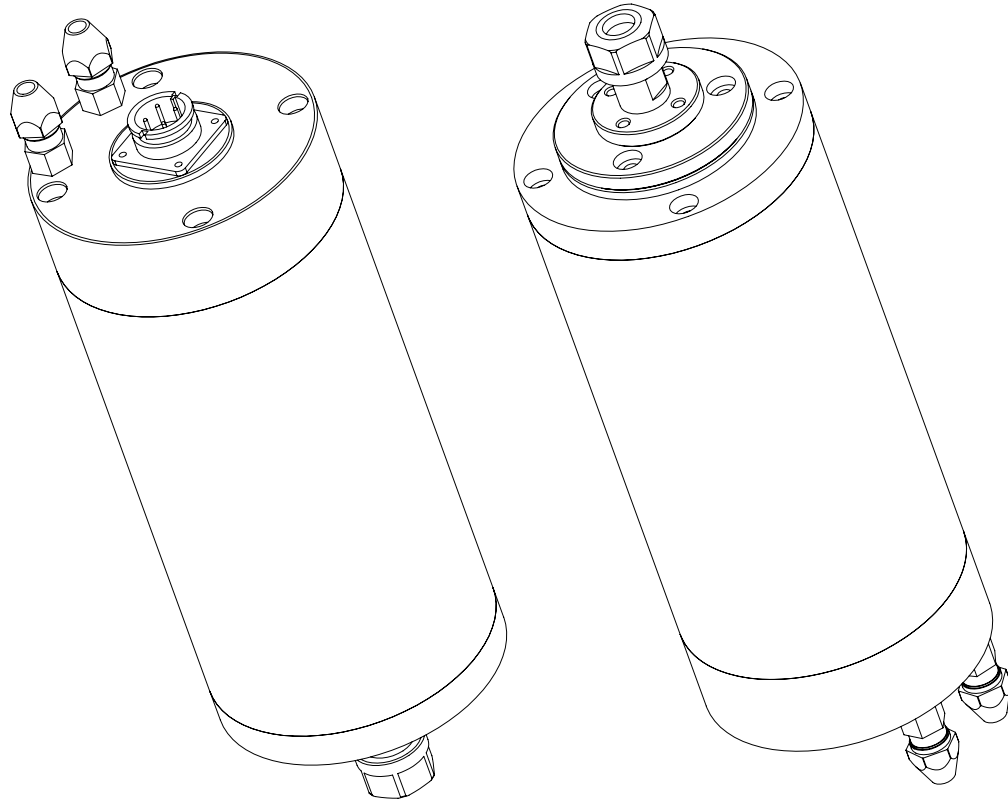
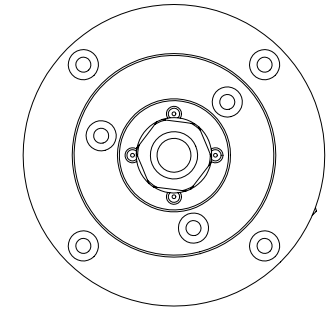
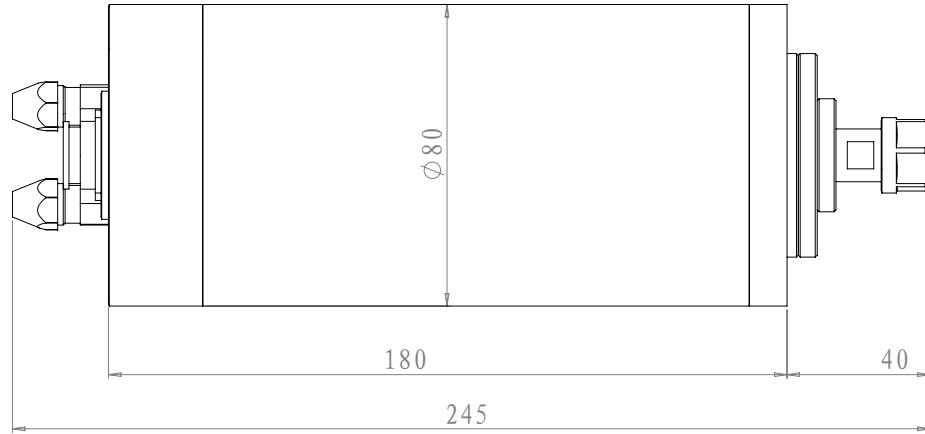
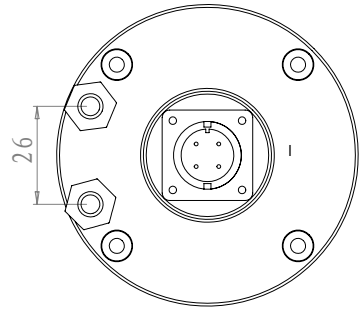


KL-1500



OD = 80MM, 180MM Length

Voltage: 220V

Speed: 6000-24000 R/min

Power: 1500W

Frequency: 400 Hz

Water Cooling, ER11 collet chuck

Grease Lubrication, NSK Bearing

Water cooling at 20-26 gal/hr

Keling Technology Inc
www.kelinginc.net