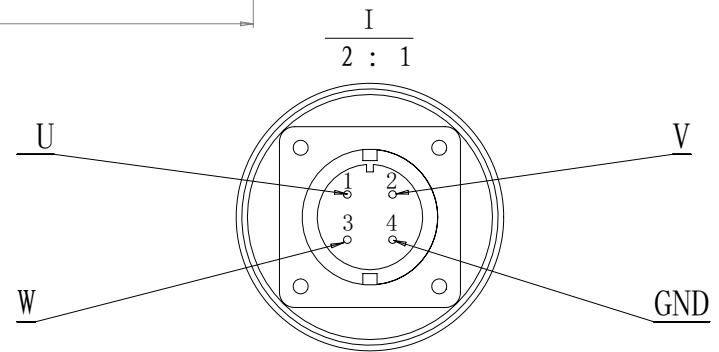
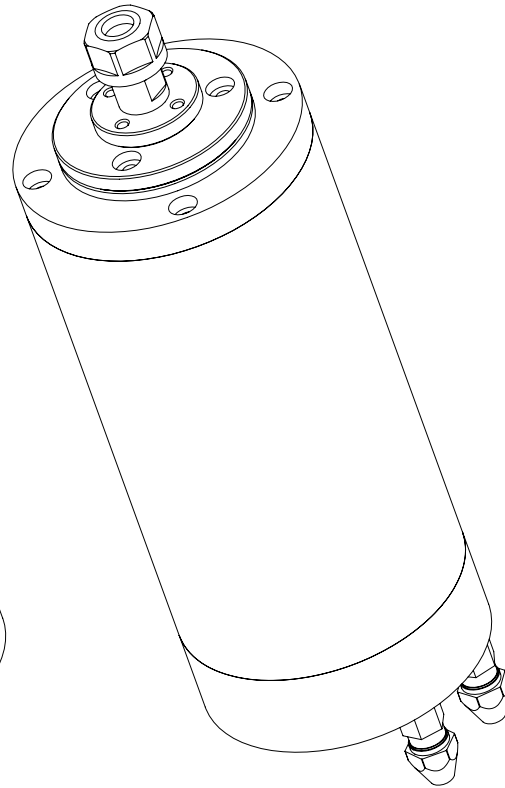
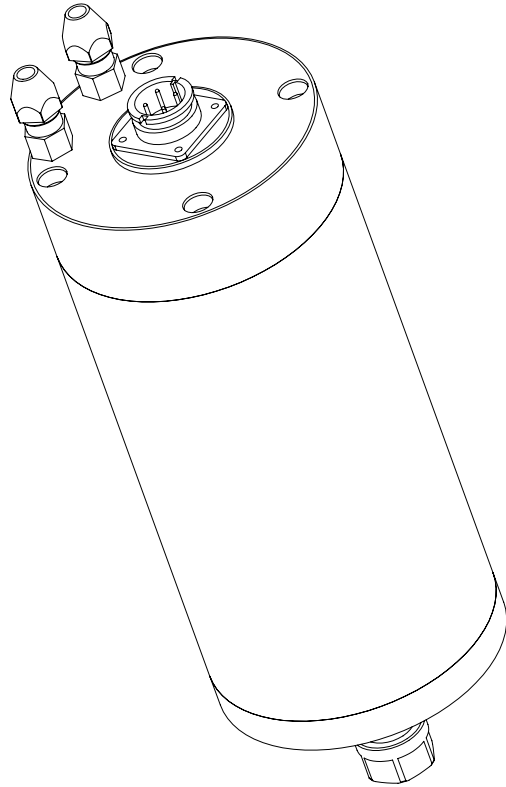
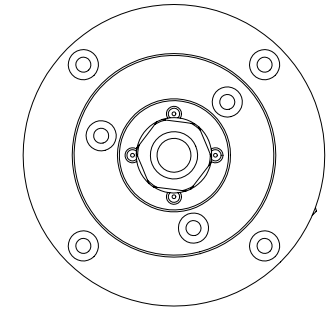
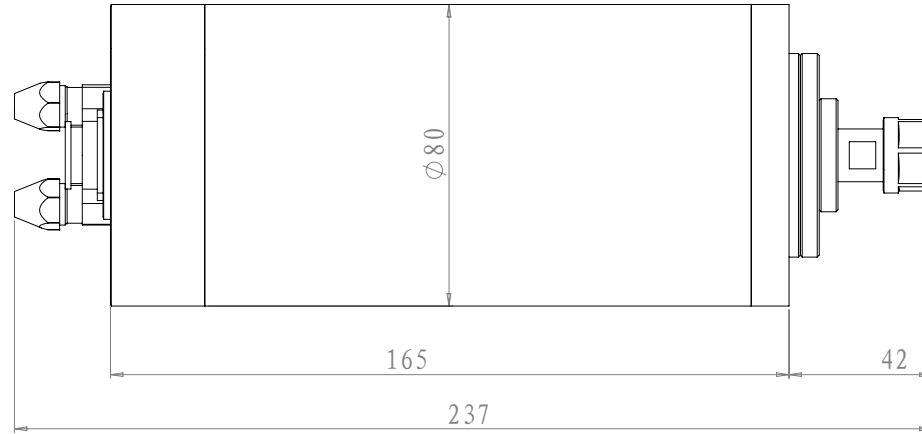
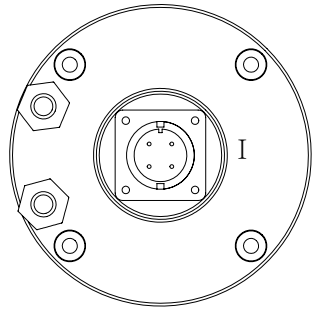


KL-1200



OD=80 MM , 165 MM length

Voltage: 220V

Speed: 10000-24000 R/min

Power: 1200 W

Frequency: 400 Hz

Water Cooling, ER collet chuck

Grease Lubrication, NSK Bearing

Keling Technology Inc
www.kelinginc.net