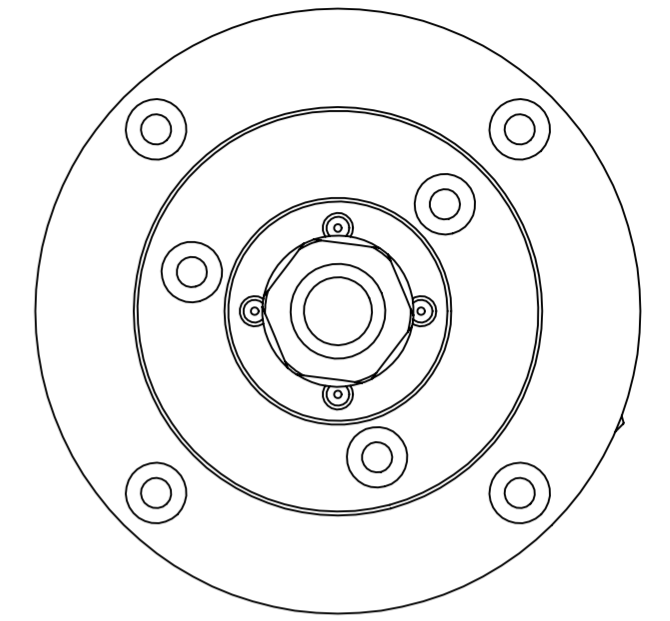
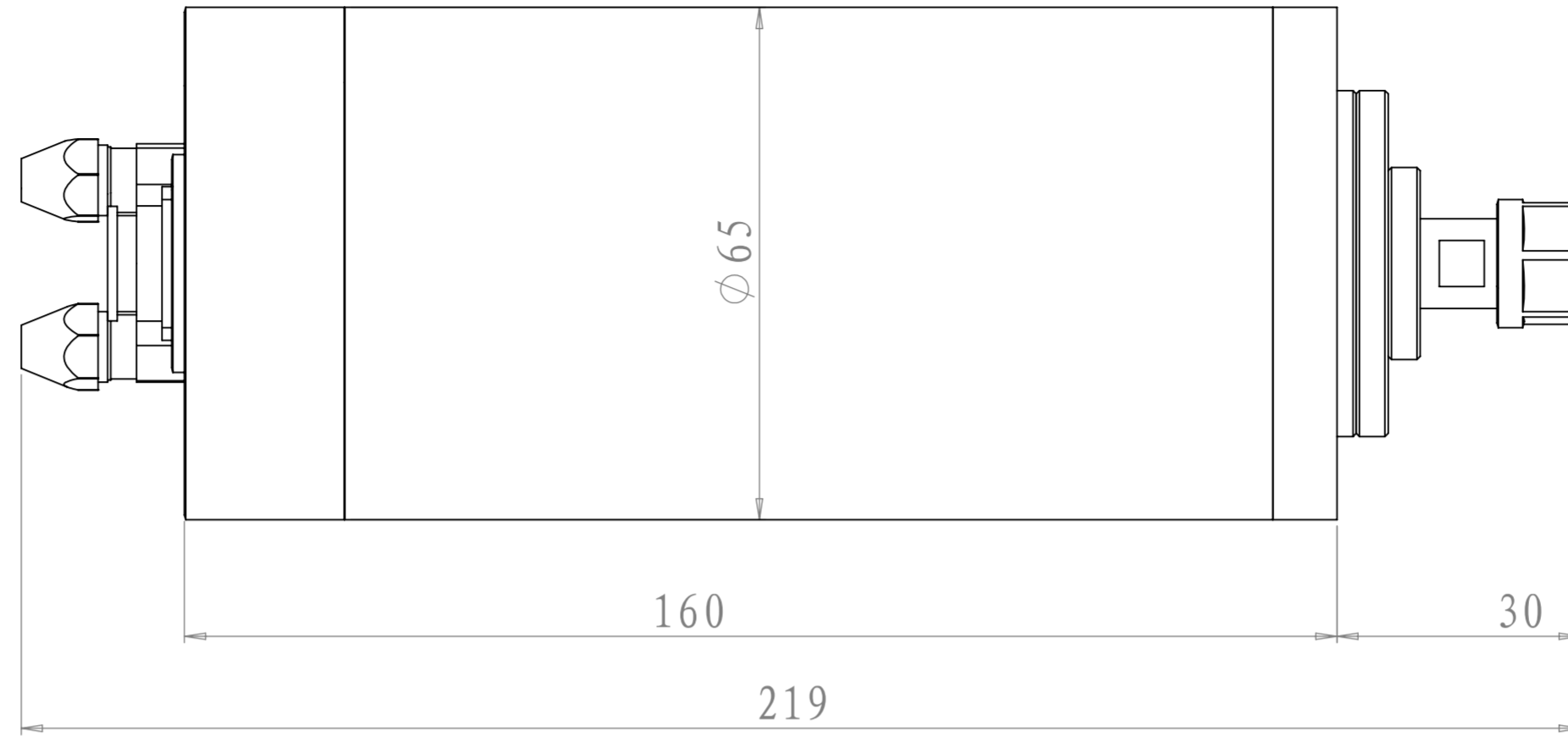
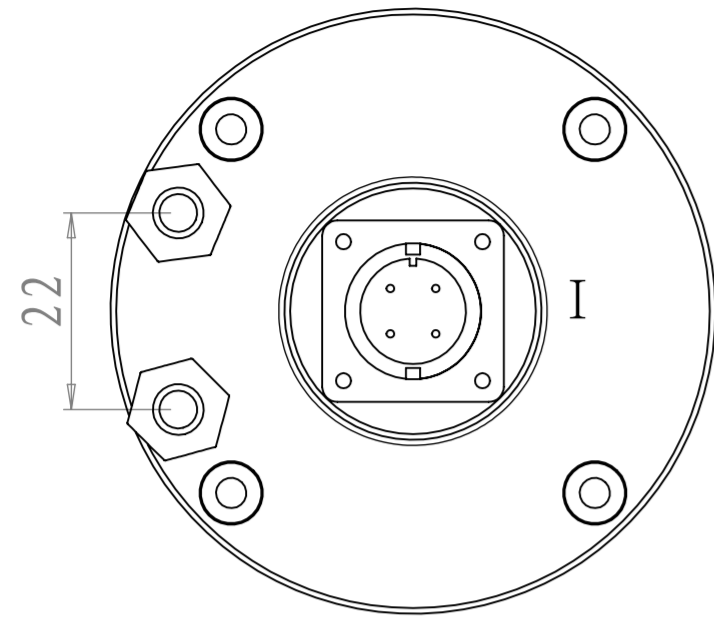
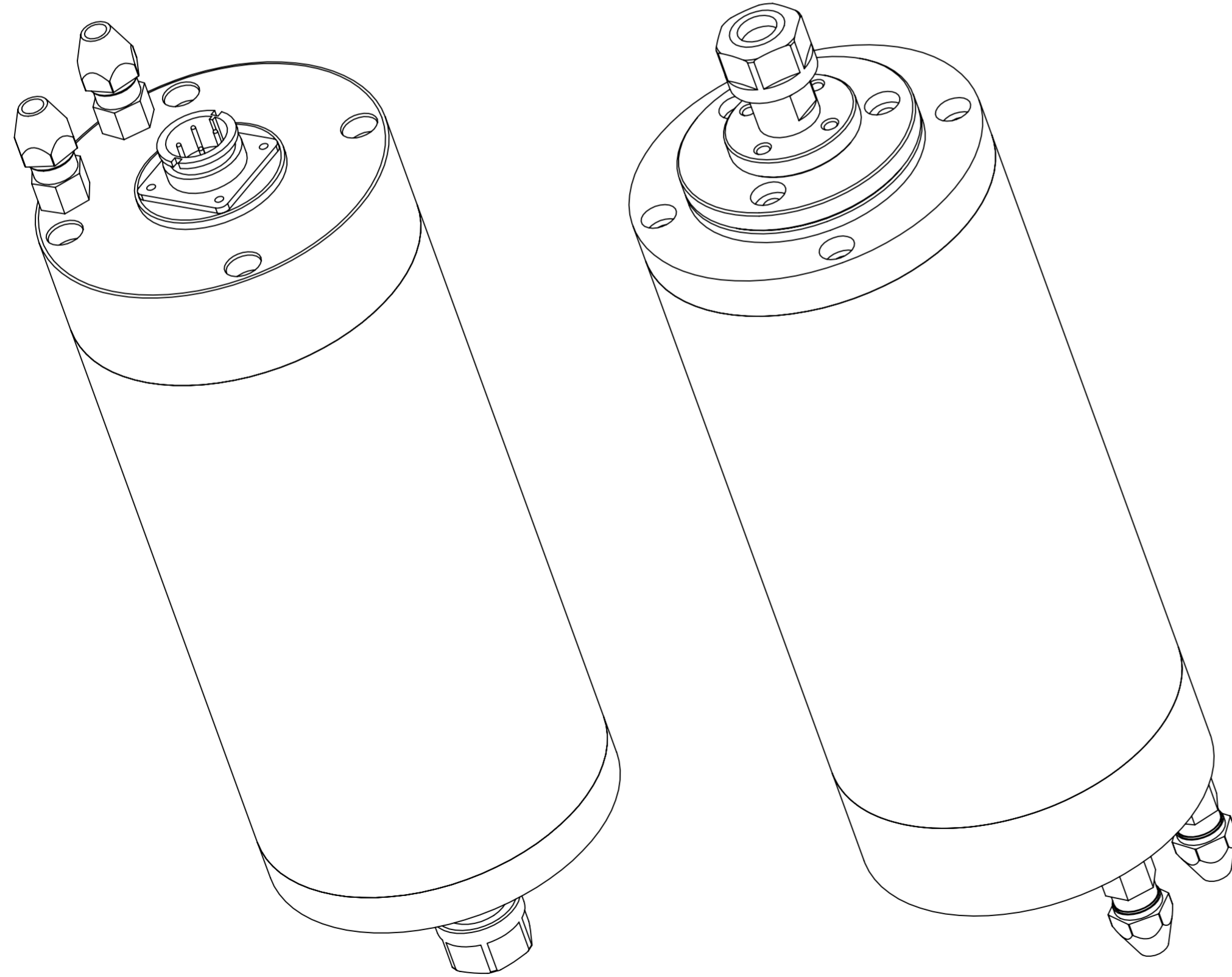
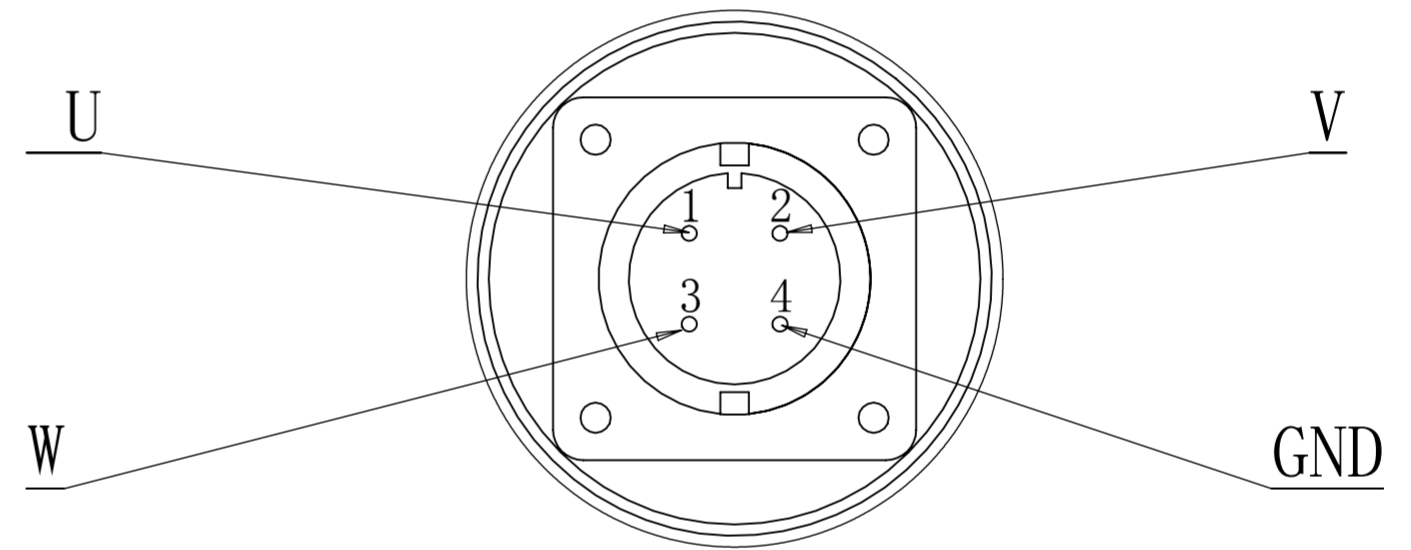


KL-800



I
2 : 1



OD = 65MM, 161MM Length
Voltage: 220V
Speed: 8000-24000 R/min
Power: 800W
Frequency: 400 Hz
Water Cooling, ER11 collet chuck
Grease Lubrication, NSK Bearing
Water cooling at 20-26 gal/hr

Keling Technology Inc
www.kelinginc.net