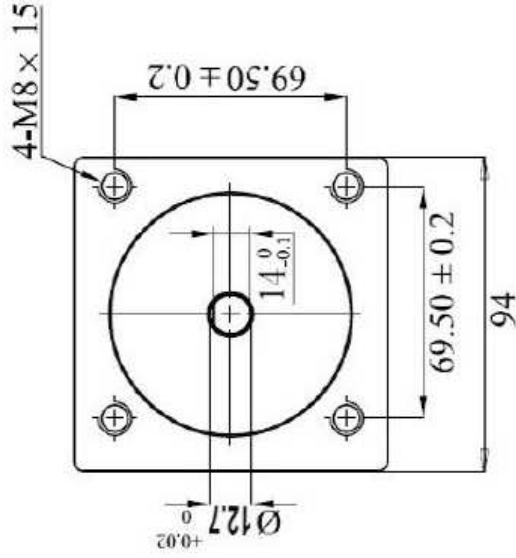
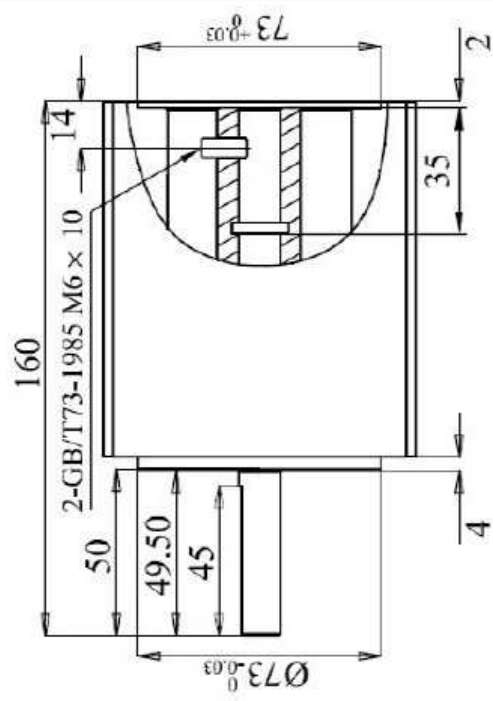
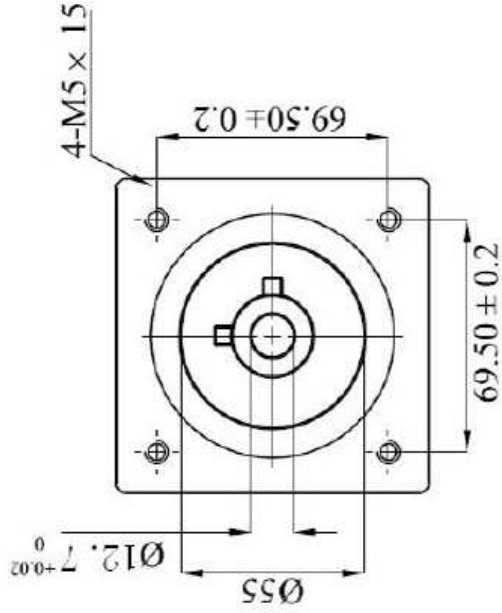
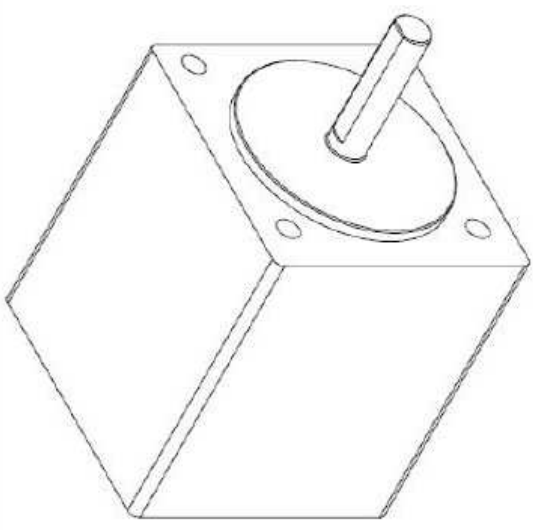
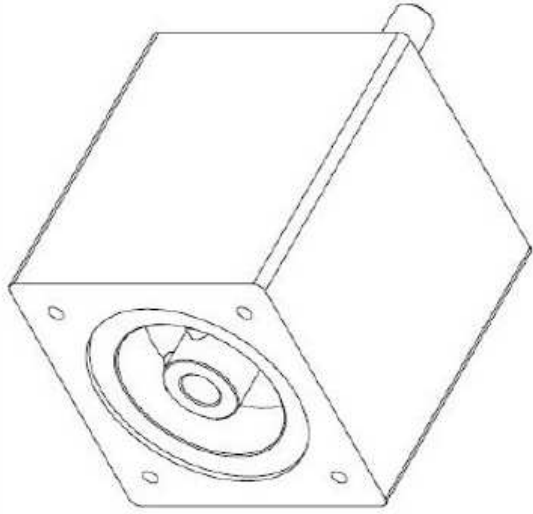


KL-34GH51



PLANETARY GEARBOX WITH STEPPER MOTOR,
REDUCE THE SPEED, INCREASE TORQUE,
PRECISIONS, MAINLY USED FOR CNC ROUTER,
CNC PLASMA, CNC LASER, MANY OTHER
AUTOMATION SYSTEM

GEAR RATIO 5:1

Backlash about 6 arcmin

Standard NEMA34 (Input and Output side)

Max Input Speed: 4000 RPM

Lifetime Lubrication

IP55 Protection

Max. Torque: 100 N-m (14100 oz-in)

It will work with our NEMA 34 motors