

Hybrid Stepping Motor

Type:23H276-30-8A

COMMON RATINGS

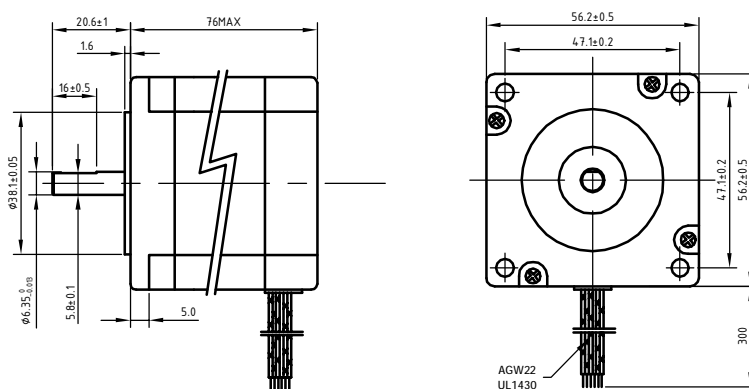
Step angle:1.8°
 Positional accuracy: +/-5%
 Number of Phase: 4
 Temperature rise: 80°C Max
 Inertia: 480 gcm²

Dielectric strength: 500VDC
 Insulation resistance: 100M0hm(500VDC)
 Radial play: 0.025mm max.(load 450g)
 Insulating class: B
 Weight: 1.0 kg

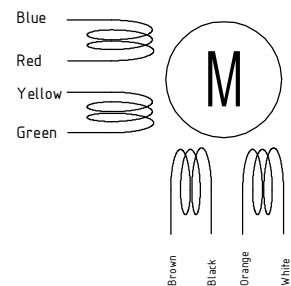
SPECIFICATIONS

	Holding Torque (2 phases on) N.m ±10%	Rated Current/Phase (Amps DC)	Phase Resistance (ohms) ±10%	Phase Inductance (mH) ±20% Typical
Bipolar(Parallel)	2.0	4.2	0.46	2.2
Bipolar(Series)	2.0	2.1	1.84	8.8
Unipolar	1.4	3.0	0.92	2.2

DIMENSIONS unit=mm



CONNECTIONS



Bipolar (Parallel) Connection	Bipolar (Series) Connection	Unipolar Connection
<p>Blue A+ Red A- Yellow A+ Green A- Brown B+ Black B- Orange B+ White B-</p>	<p>Blue A+ Red A- Yellow A+ Green A- Brown B+ Black B- Orange B+ White B-</p>	<p>Blue A+ Red Acom Yellow A- Green A- Brown B+ Black Bcom Orange B- White B-</p>