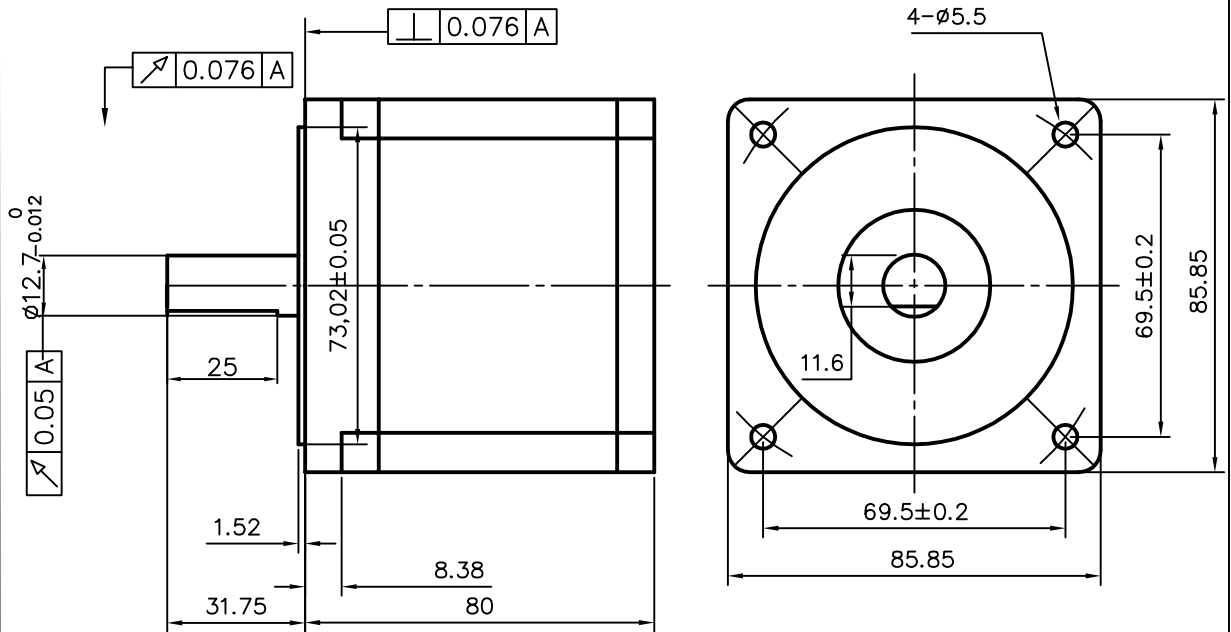


Hybrid Stepper Motor

KL34H280-55-4A

UNIT=MM:



PHASE	STEP ANGLE	CURRENT	RESISTANCE	INDUCTANCE	HOLDING TORQUE	ROTOR INERTIA	WEIGHT
	DEG/STEP	A	ohms	mH	OZ-IN	gcm ²	Kg
2	1.8	5.5	0.43	4	640	1400	2.3

