

Hybrid Stepping Motor

Type: KL34H280-45-8A

COMMON RATINGS

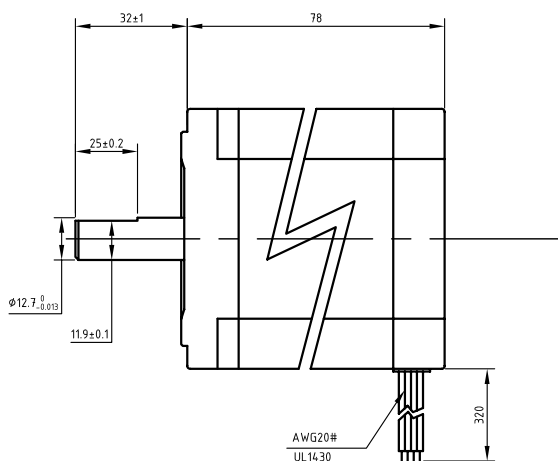
Step angle: 1.8°
 Positional accuracy: +/-5%
 Number of Phase: 4
 Temperature rise: 80°C Max
 Inertia: 1600 gcm²

Dielectric strength: 500VDC
 Insulation resistance: 100MΩ(500VDC)
 Radial play: 0.025mm max.(load 450g)
 Insulating class: B
 Weight: 2.4 kg

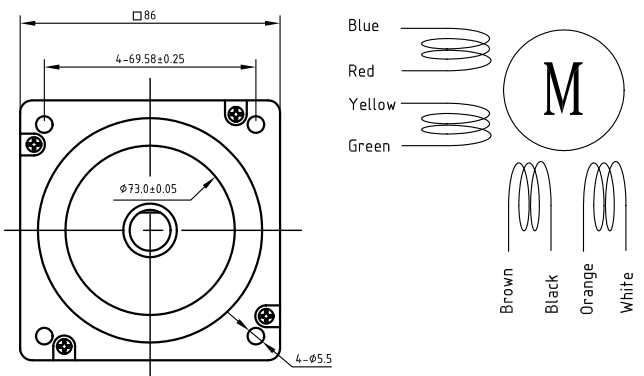
SPECIFICATIONS

	Holding Torque (2 phases on) N.m ±10%	Rated Current/Phase (Amps DC)	Phase Resistance (ohms) ±10%	Voltage Current/Phase (V DC)	Phase Inductance (mH) ±20% Typical (1kHz)
Unipolar	3.2	4.5	0.71	3.2	2.2
Bipolar(Series)	4.5	3.2	1.42	4.5	8.8
Bipolar(Parallel)	4.5	6.3	0.36	2.3	2.2

DIMENSIONS unit=mm



CONNECTIONS



WIRINGS CONNECTION DIAGRAM

