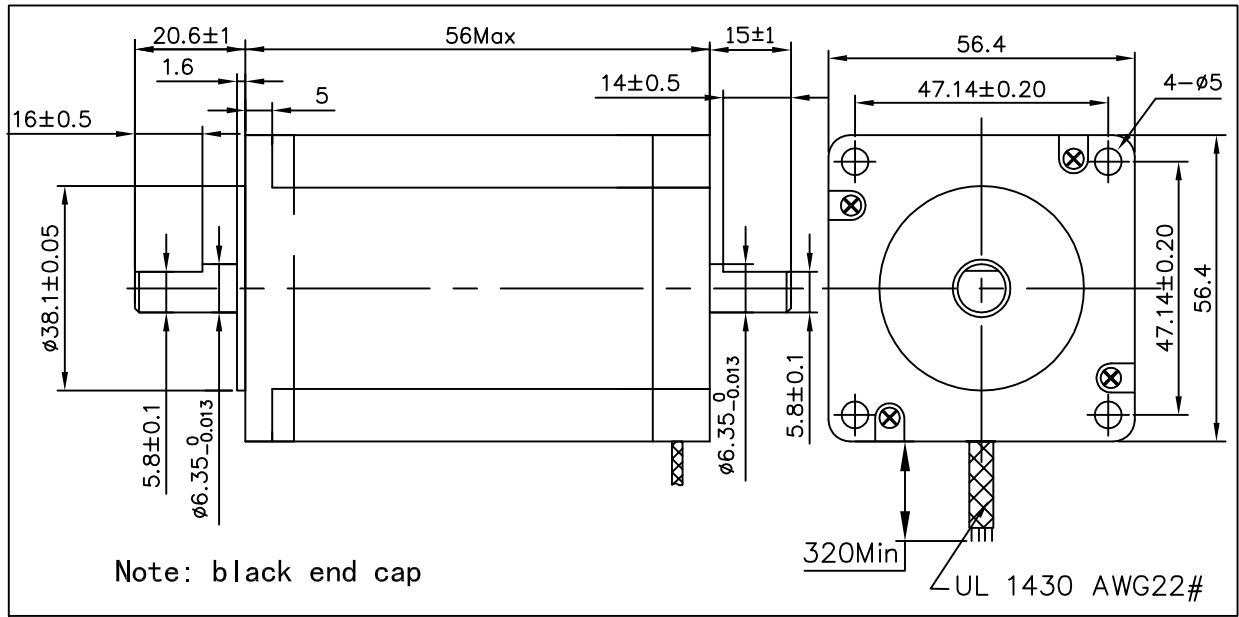


# Hybrid Stepper Motor

KL23H256-21-8B Automation Technology Inc.

Automationtechnologiesinc.com



	STEP PHASE	RATED VOLTAGE	CURRENT /PHASE	RESISTANCE /PHASE	INDUCTANCE /PHASE	HOLDING TORQUE	ROTOR INERTIA	WEIGHT
	DEG/STEP	V	A	ohms	mH	OZ-IN	gcm <sup>2</sup>	Kg
Unipolar	1.8	2.583	2.1	1.23	2.4	127	300	0.7
Bipolar (Parallel)		1.86	3.0	0.62	2.4	185		
Bipolar (Series)		2.19	1.5	1.46	9.6	185		

