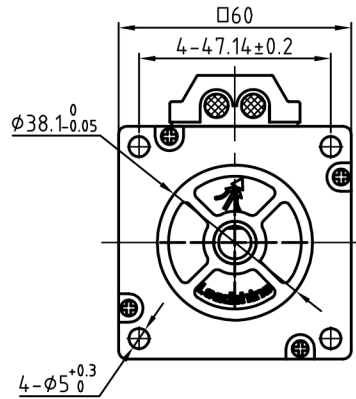
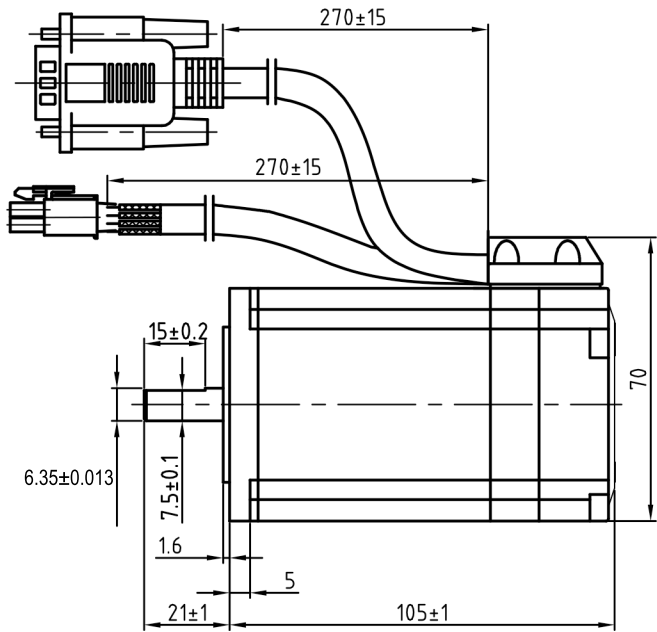
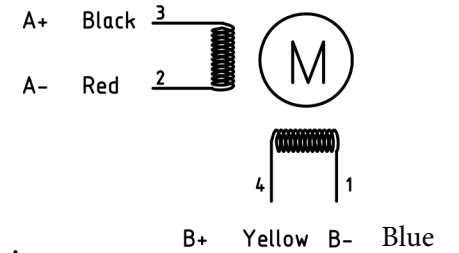
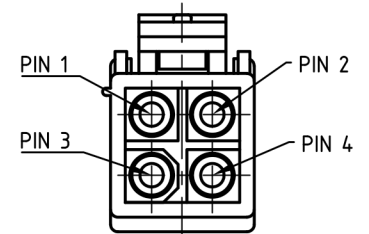


**Dimension: (Unit: mm)**



**Motor Connections:**



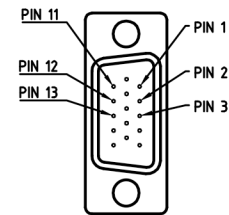
**Common Rating**

Step angle	1.8°
Position accuracy	1.8±0.09°
Dielectric strength	500VAC 1min
Insulation resistance	100MΩ(500VDC)
Insulation class	B
Temp rise(Max)	80K
Radial play	Max.0.02mm(Load 450g)
Axial play	Max.0.08mm(Load 900g)

**Specification:**

Current/phase	6.0 A
Voltage	1.6 V
DC Resistance/phase ±10%	0.26 Ω
Inductance/phase ±20%	1.18 mH
Holding torque	3.1 N·M
Inertia	0.84 kg·cm <sup>2</sup>
Weight	1.6 kg
Encoder resolution	1000 cpr

**Encoder Signals**



PIN	1	2	3	11	12	13
Color	BLK	RED	WHT	YEL	GRN	BLU
Define	A+	VCC	GND	B+	B-	A-