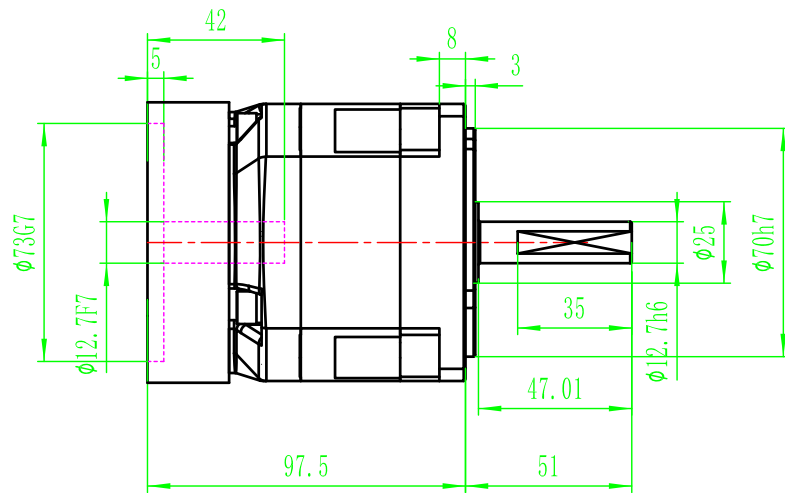
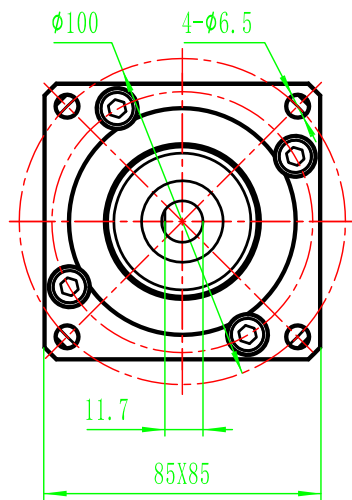
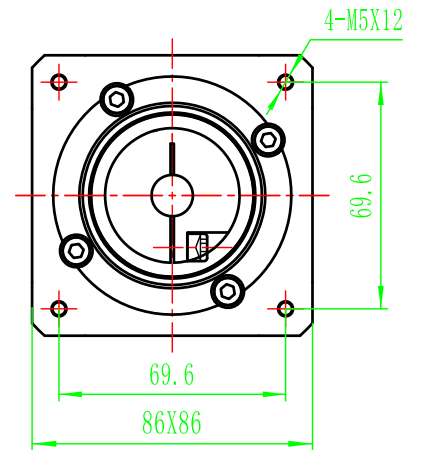


Output



Input



Four screw holes to tight