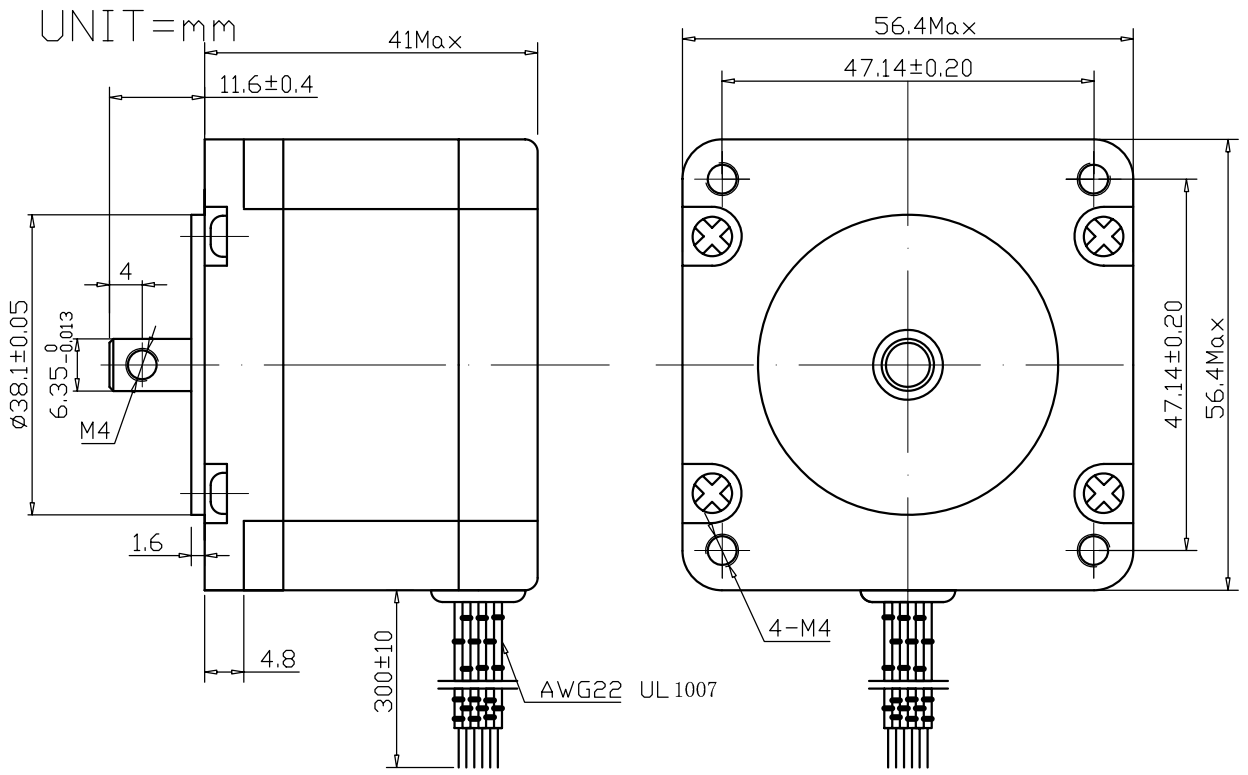


Hybrid Stepper Motor

KL23h241-06-4A (Short)



MODEL	PHASES	STEP ANGLE	RATED VOLTAGE	CURRENT /PHASE	RESISTANCE /PHASE	INDUCTANCE /PHASE	HOLDING TORQUE	ROTOR INERTIA	WEIGHT
		DEC /STEP	V	A	Ω (20°C)	mH±20%	OZ-IN	g.cm	Kg
	2	1.8	10	1.0	10	9	70		046

