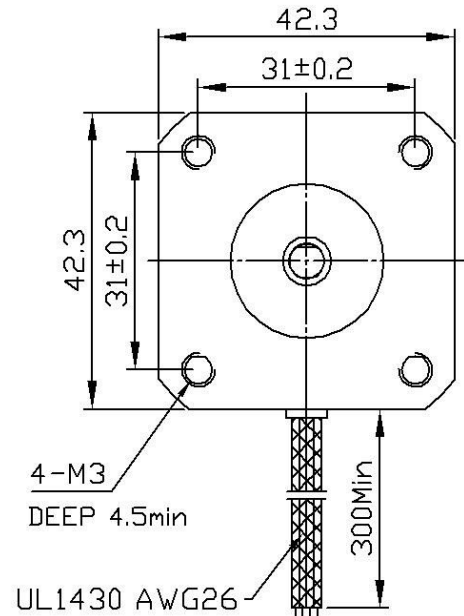
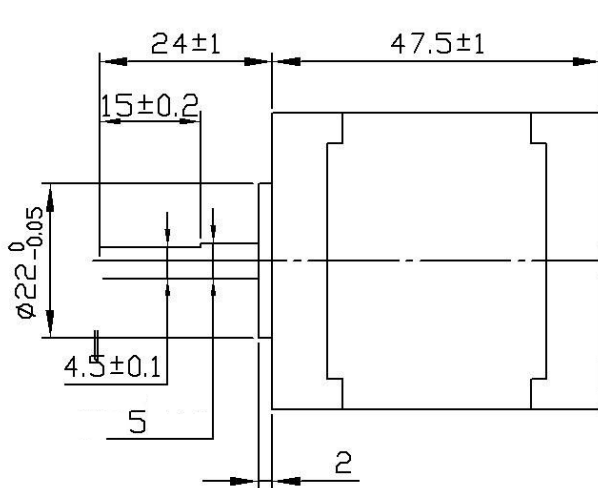


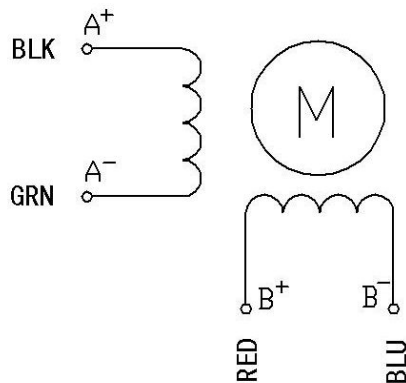
Hybrid Stepper Motor

KL17H247-168-4A

UNIT=MM



| MODEL | PHASE | STEP PHASE | RATED VOLTAGE | CURRENT /PHASE | RESISTANCE /PHASE | INDUCTANCE /PHASE | HOLDING TORQUE | ROTOR INERTIA | WEIGHT |
|-------|-------|------------|---------------|----------------|-------------------|-------------------|----------------|------------------|--------|
| | | DEG/STEP | V | A | ohms | mH | OZ-IN | gcm ² | Kg |
| | 2 | 1.8 | 2.8 | 1.68 | 1.65 | 2.8 | 61.6 | 68 | 0.35 |



Black to A+
 Green to A-
 Red to B+
 Blue to B-